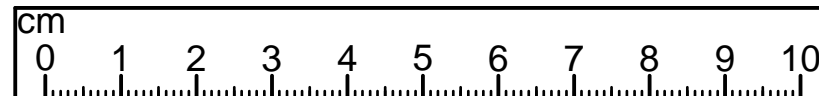
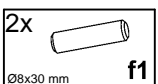
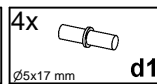
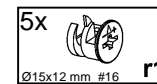
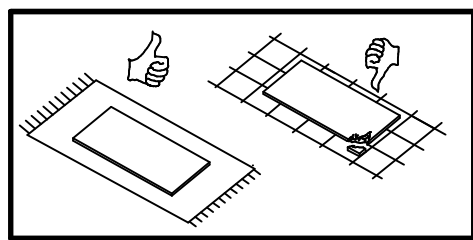
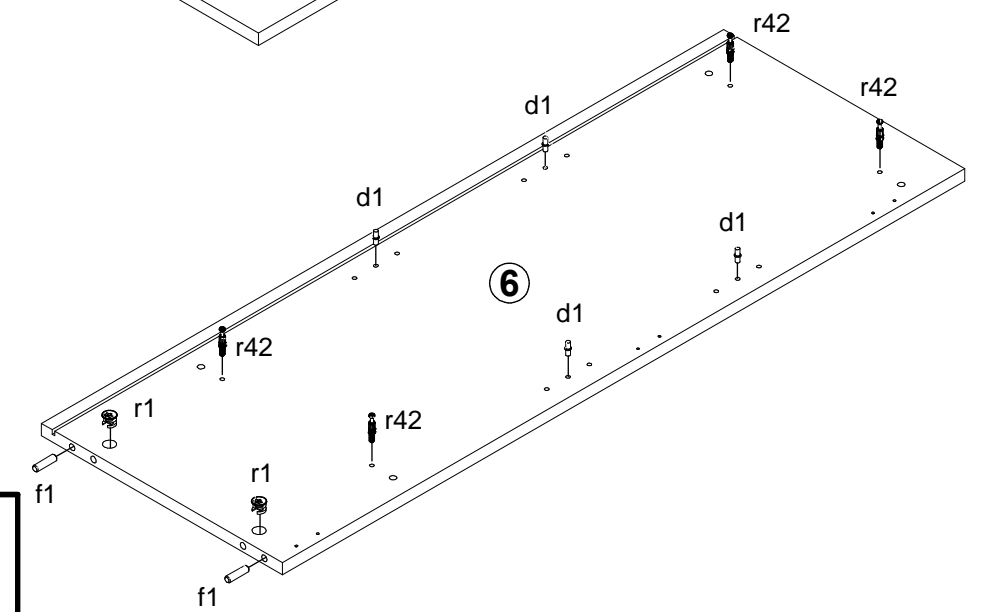
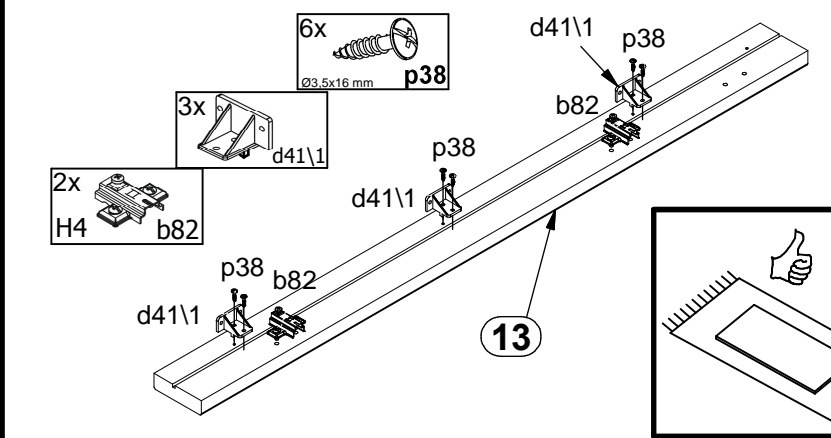
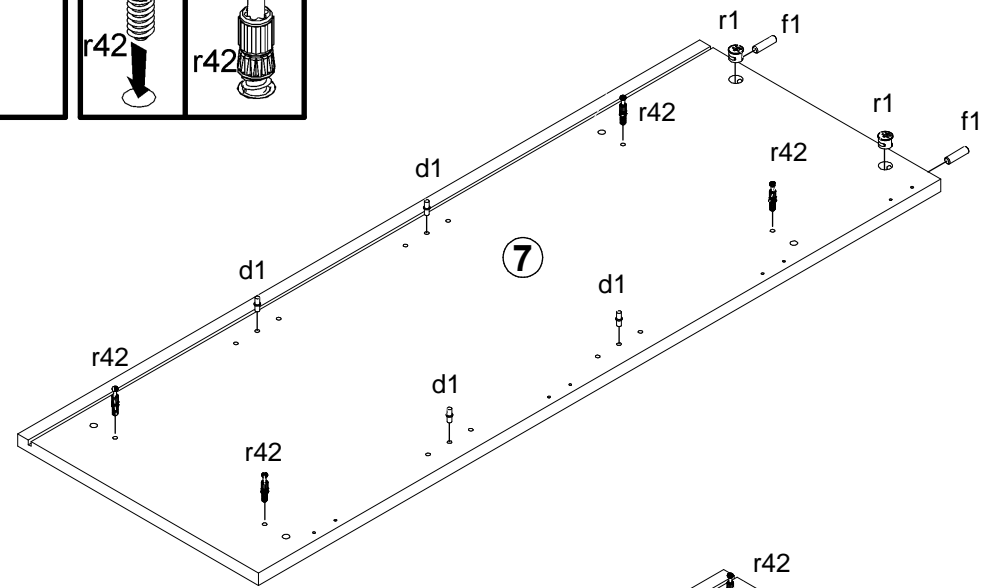
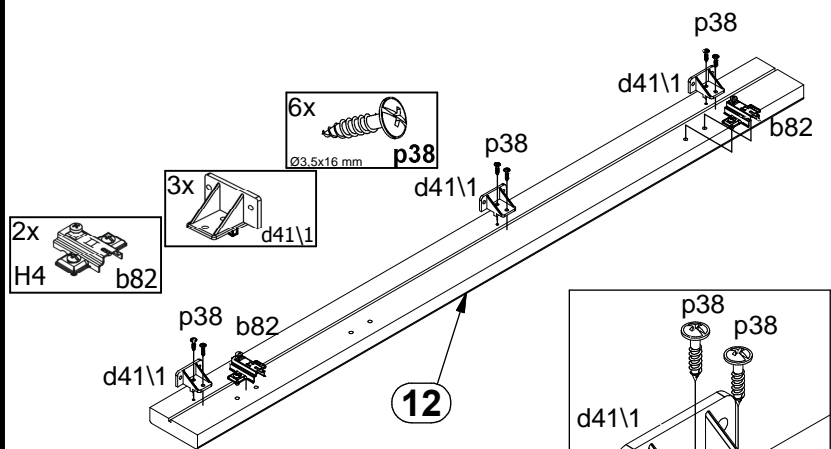
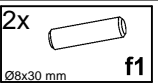
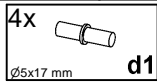
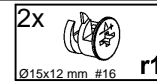
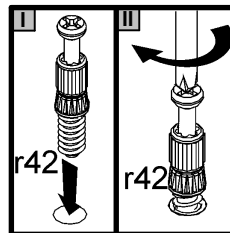
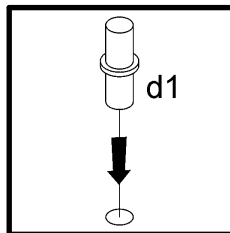
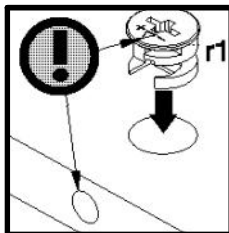
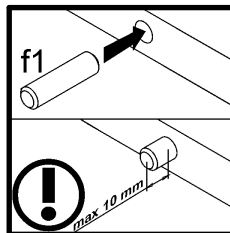
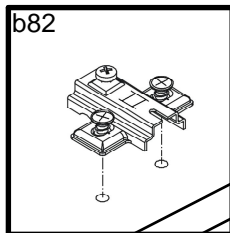


A	B	C1	C2	C3	D
1	M222-2005	900	400	32	2/2
2	M222-3015	865	334	16	1/2
3	M222-9304	965	877	2,5	2/2
4	M238-0002	764	414,	16	2/2
5	M238-0003	188	414,	16	2/2
6	M238-1004	1022	361	16	1/2
7	M238-1005	1022	361	16	1/2
8	M238-1006	185	341	16	2/2
9	M238-1007	185	341	16	2/2
10	M238-3002	866	341	16	1/2
11	M238-3003	866	341	16	1/2
12	M238-5005	1022,	80	22	1/2
13	M238-5006	1022,	80	22	1/2
14	M238-7301	218	218	12,	2/2
15	M238-7351	956	316	16	2/2
16	WSP-9206	381	308	2,5	2/2
17	WSQ4-503	300	140	12,	2/2
18	WSQ4-504	300	140	12,	2/2
19	WTQ-5283	371	127	16	2/2

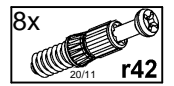
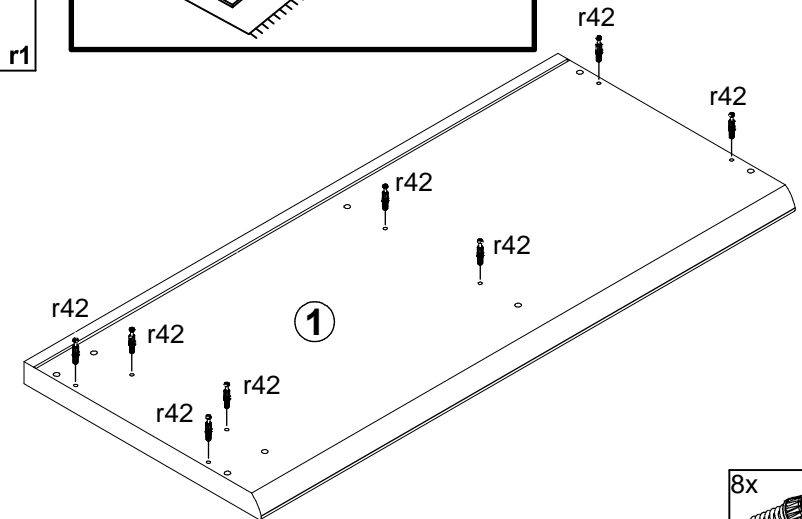
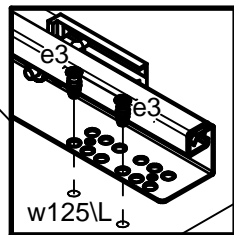
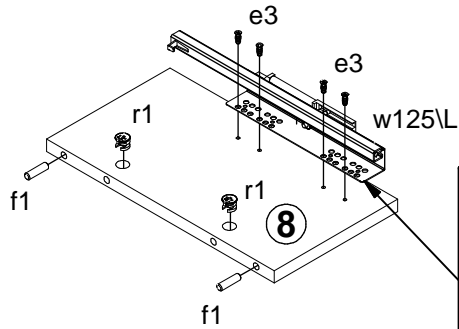
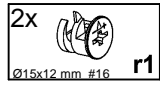
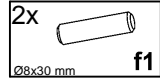
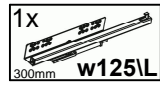
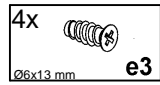
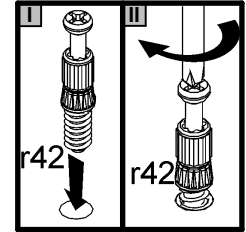
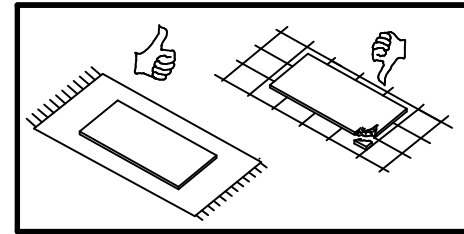
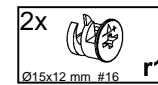
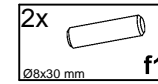
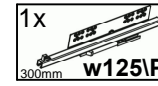
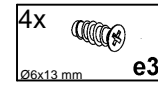
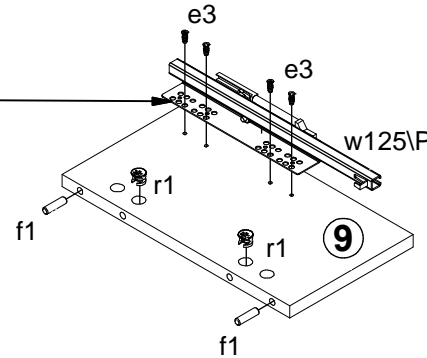
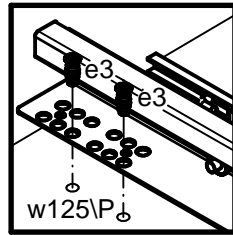
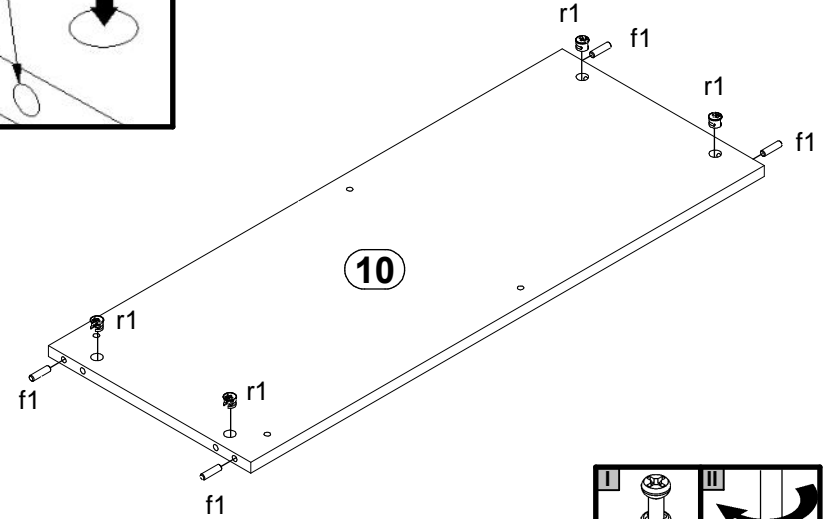
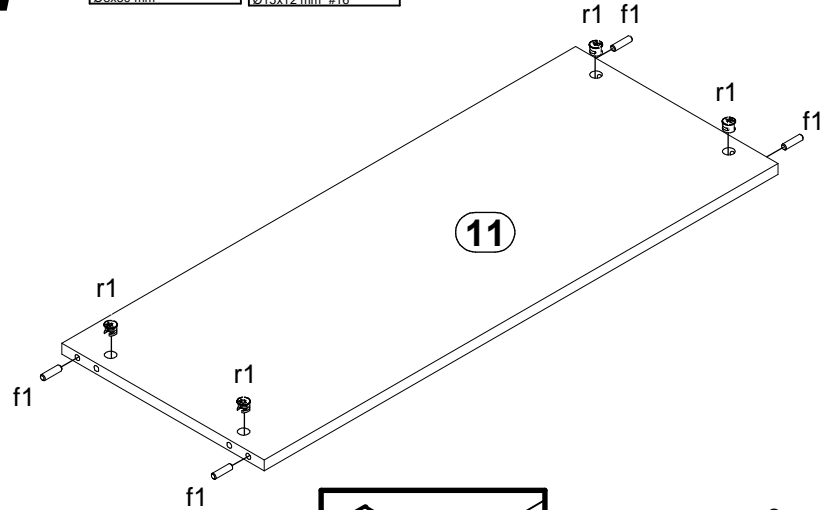
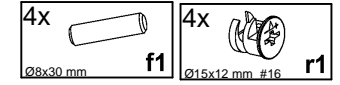
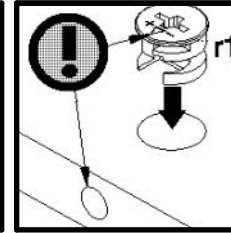
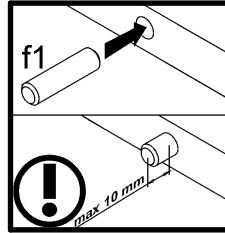
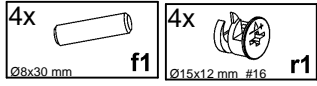
4x a132	2x a133	4x H4 b82	3x L-148mm c469/2	8x Ø5x17 mm d1
6x d41.1	4x Ø7x50 mm e1	8x Ø6x13 mm e3	16x Ø8x30 mm f1	4x Ø6,5x40 mm f25
4x k1	8x l2	38x Ø3,5x16 mm p38	8x Ø3,5x15 mm p51	2x Ø2,9x16 mm p55
6x Ø4x22 mm p60	4x Ø4x13 mm p93	16x Ø15x12 mm #16 r1	4x Ø12x10,5 mm #12 r15	20x 20/11 r42
6x Ø16 s2	1x 300mm w125/L	1x 300mm w125/P	1x z1	1x s73

1x Ø10x50 mm f35	1x 36x21x15/1,5 n14/2	1x Ø5x60 mm p17	2x Ø3,5x16 mm p38
----------------------------	---------------------------------	---------------------------	-----------------------------





1

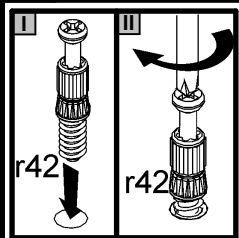


A

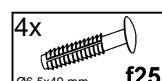
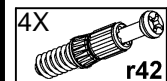
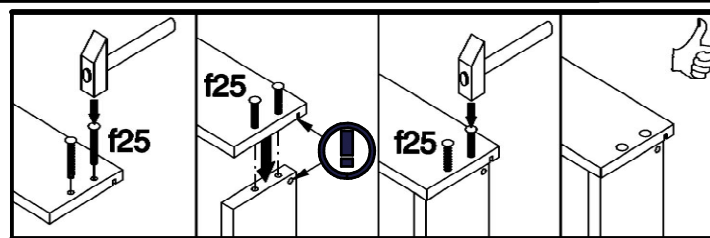
M238-KOM2D1S/11/9

30A2--11

5 / 11

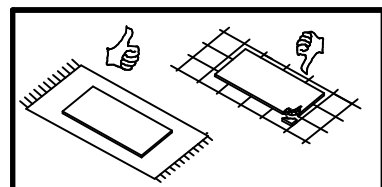
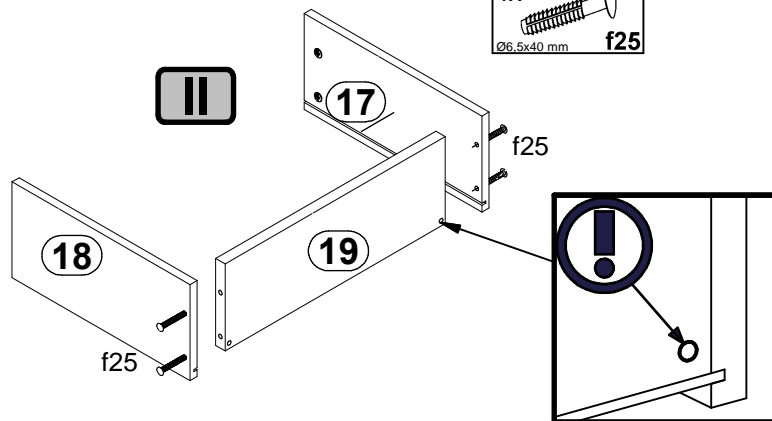
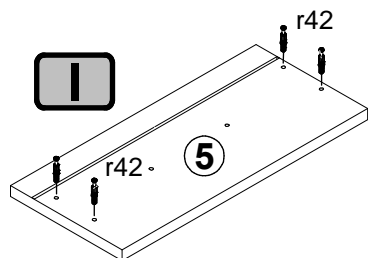


2

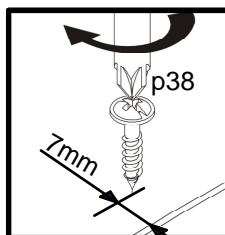
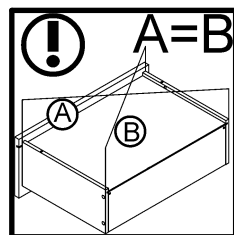
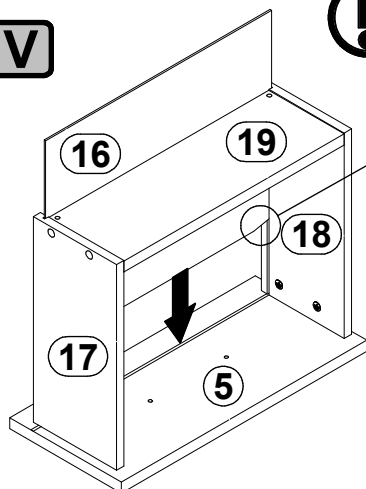
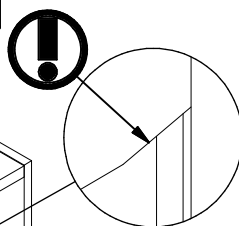


I

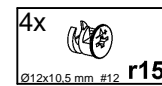
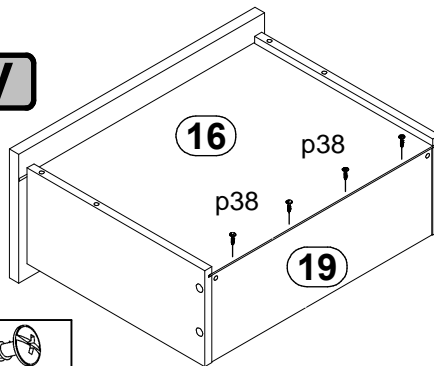
II



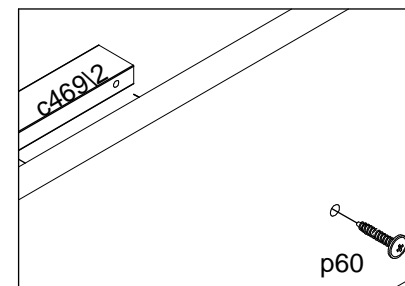
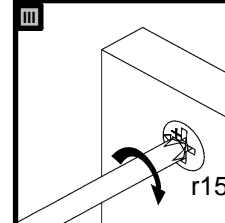
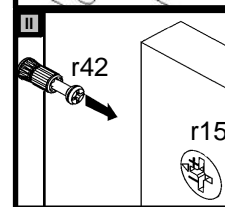
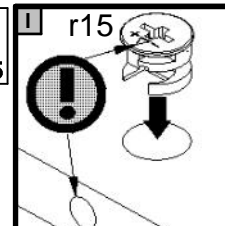
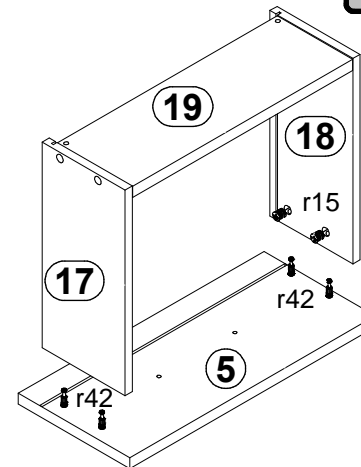
IV



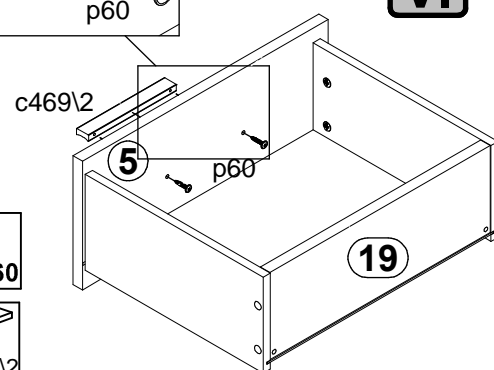
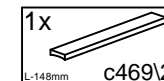
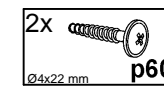
V



III

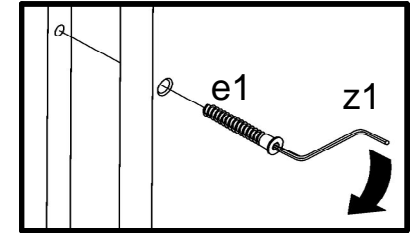
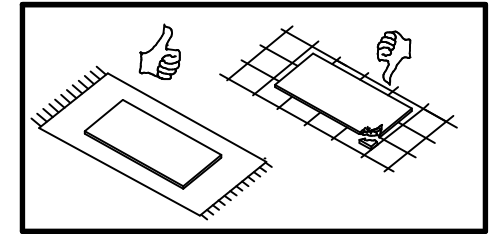
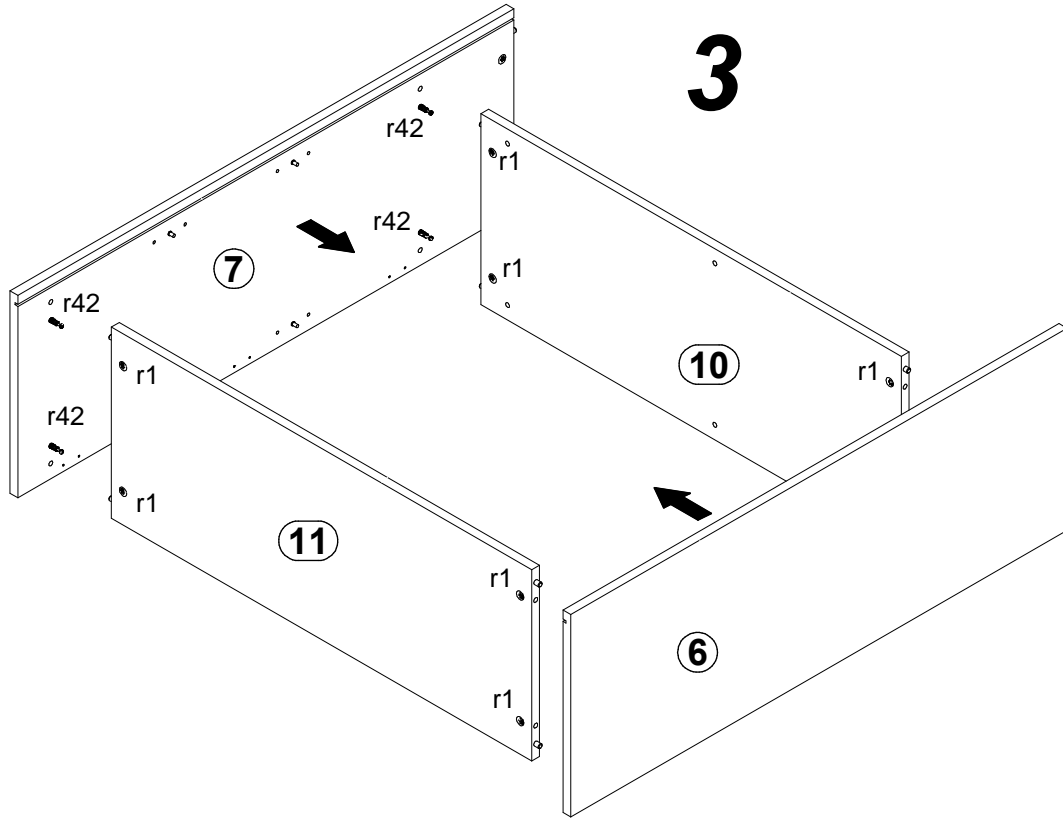


VI

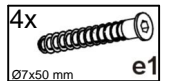
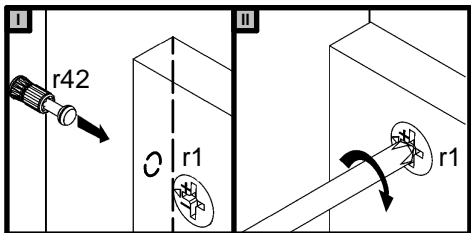
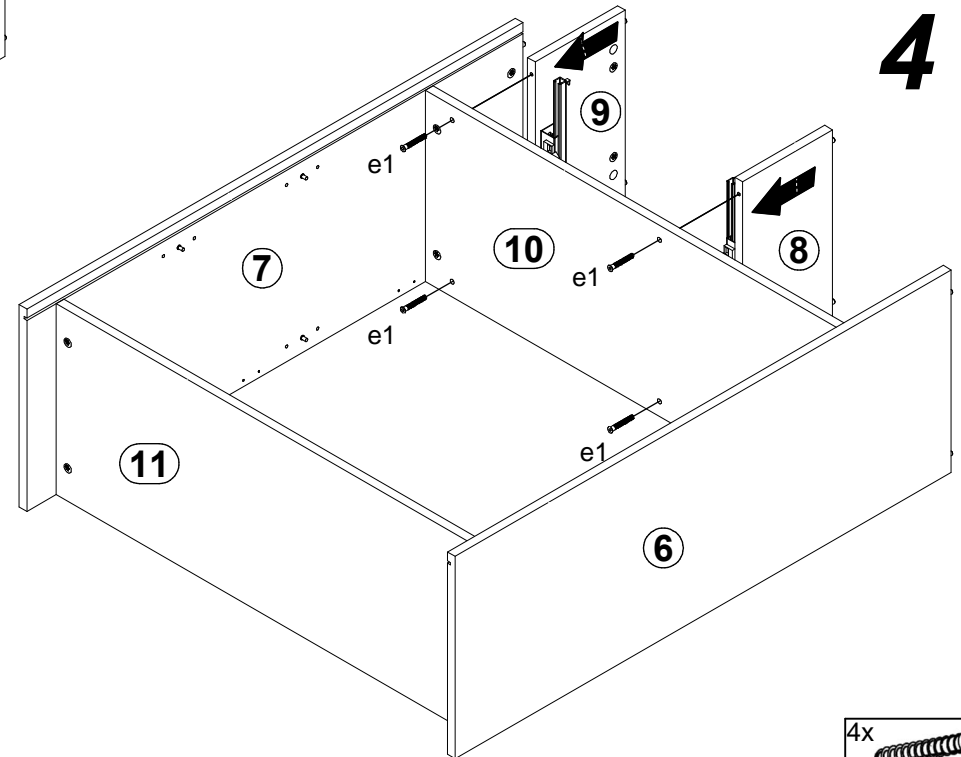


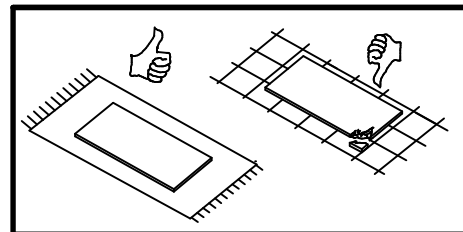
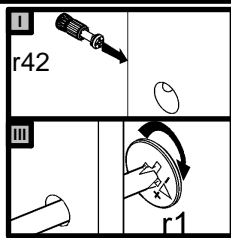


3

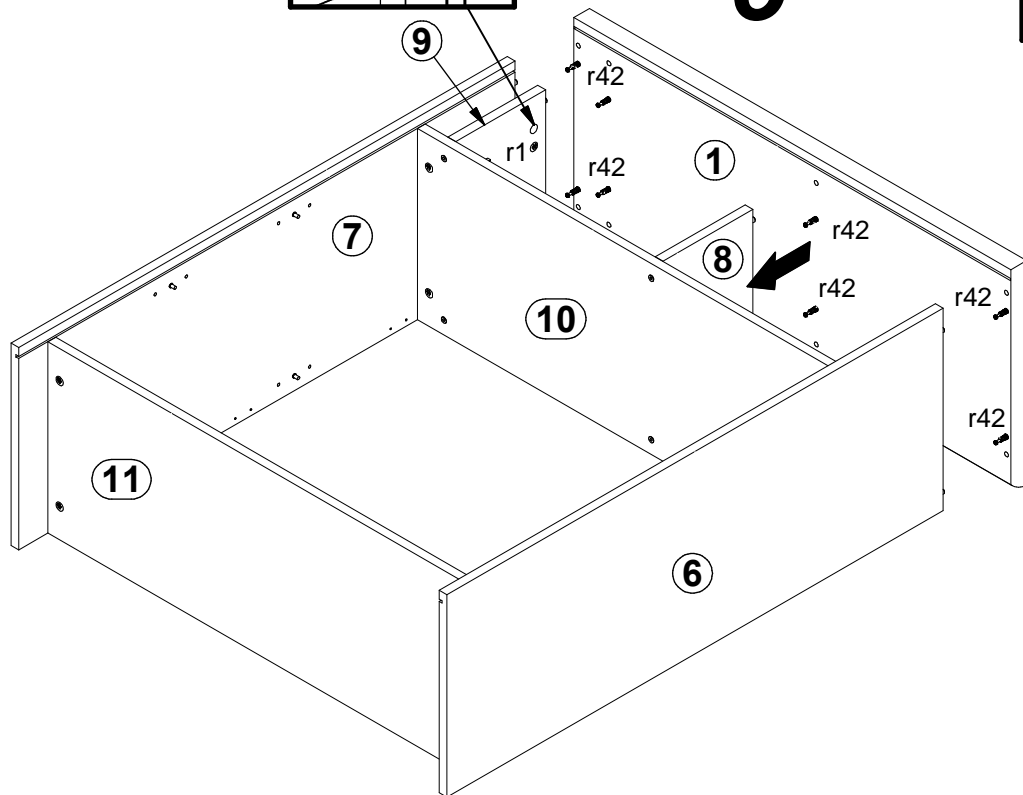


4

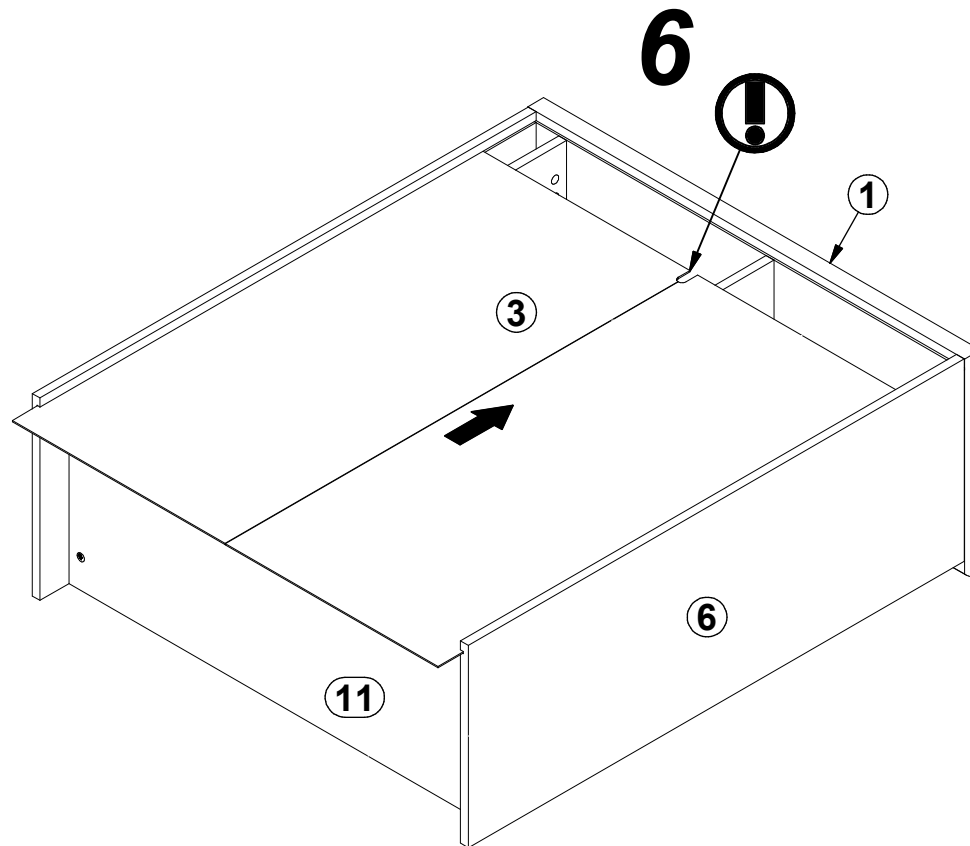


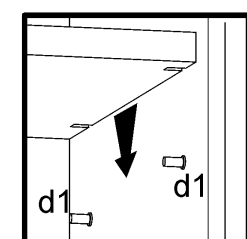
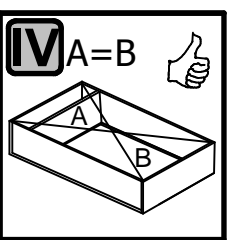
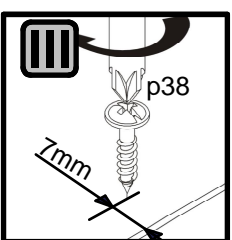
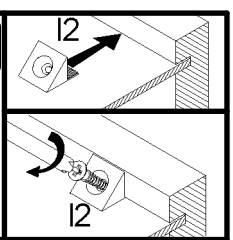
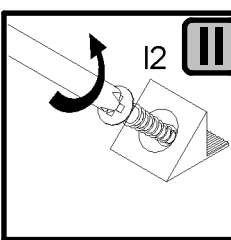
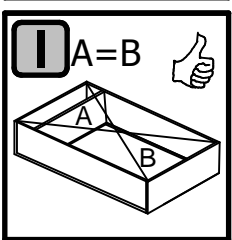
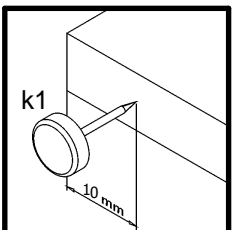
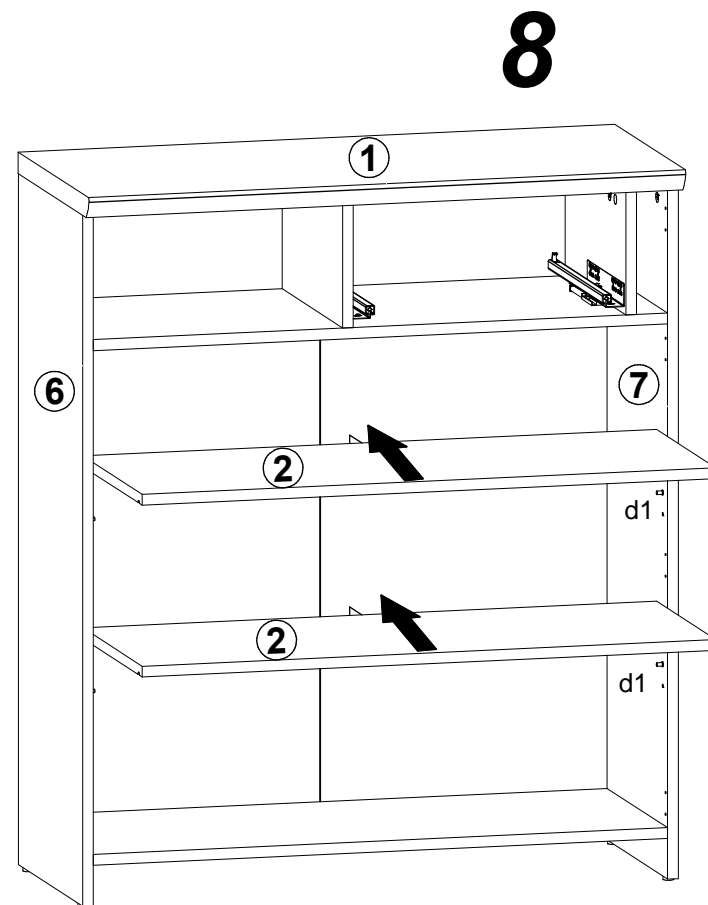
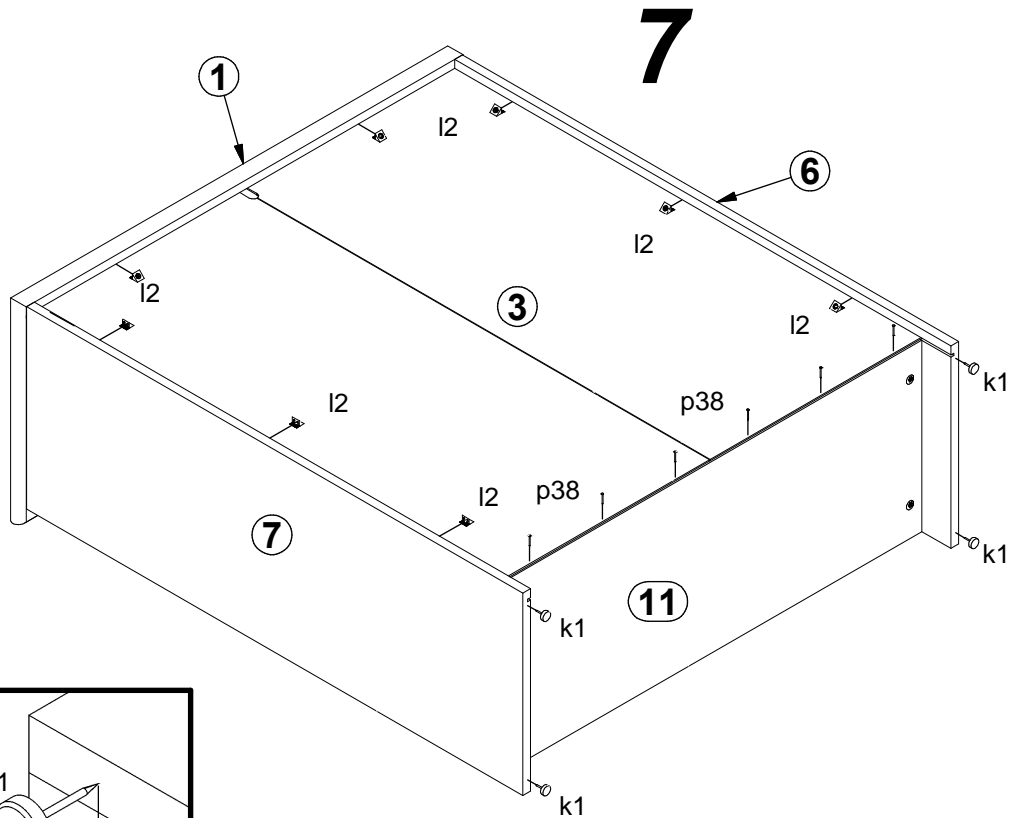
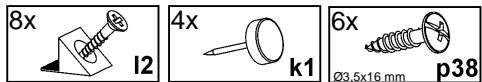


5

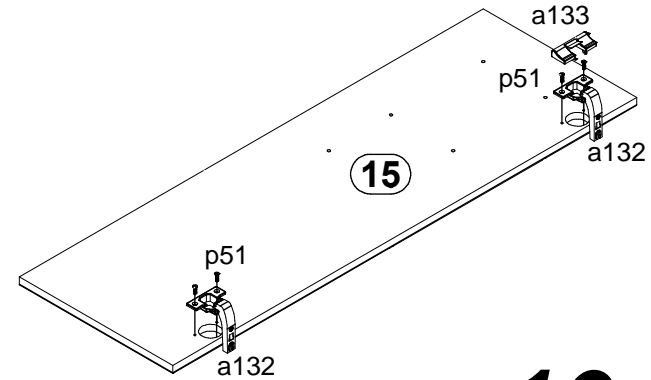
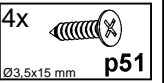
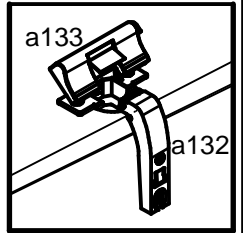
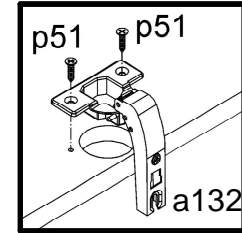
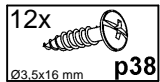
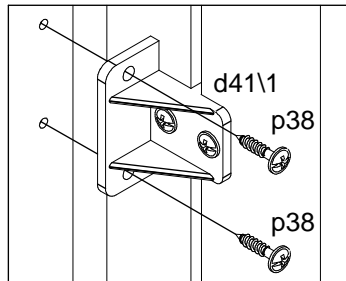
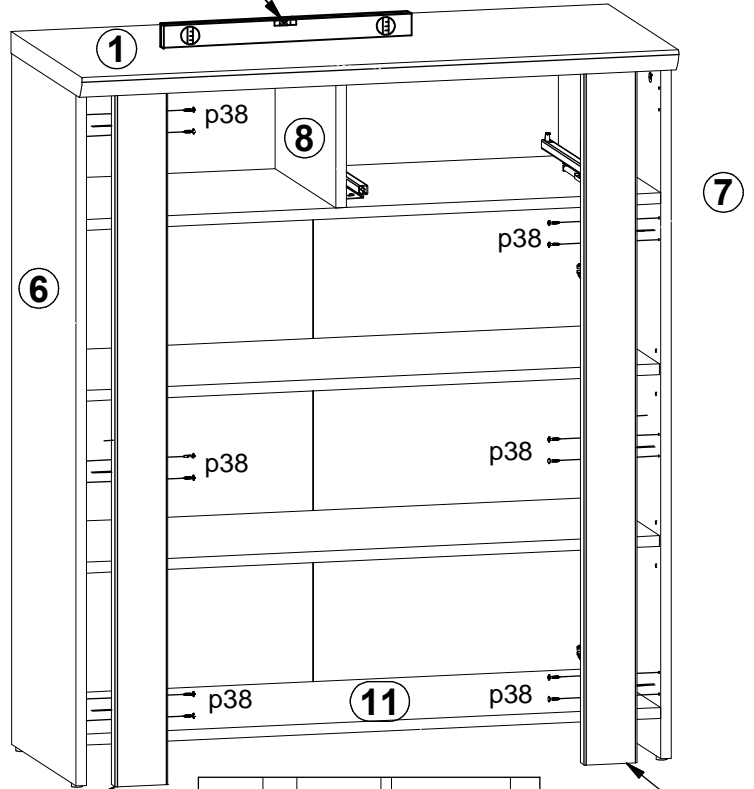
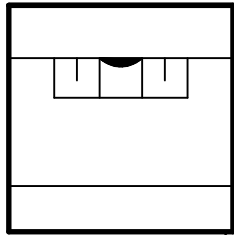


6

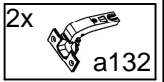
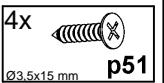
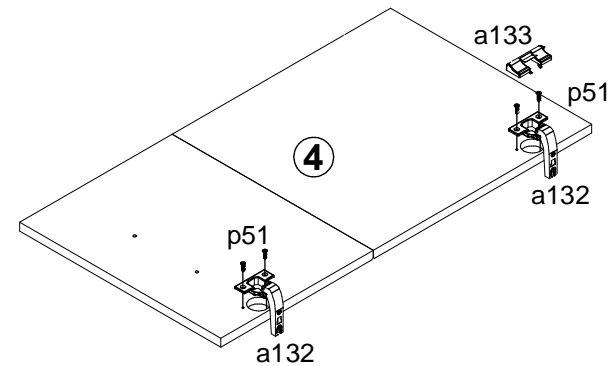




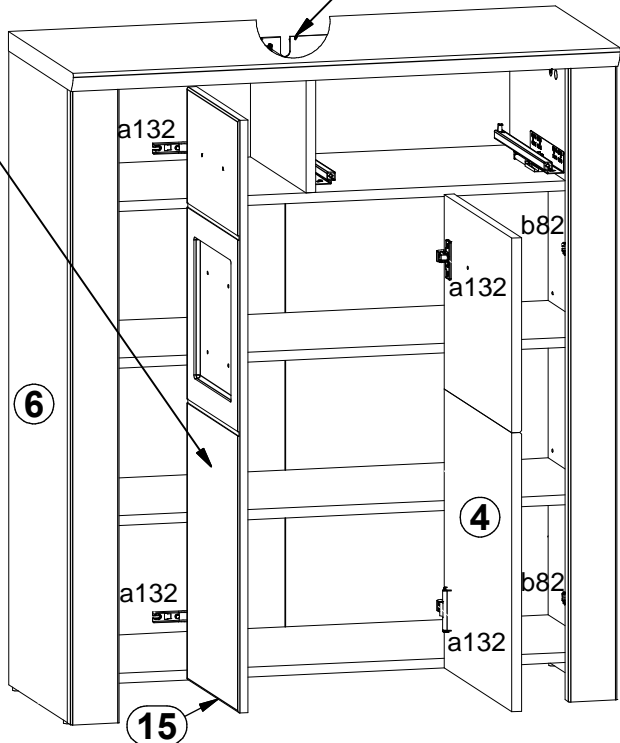
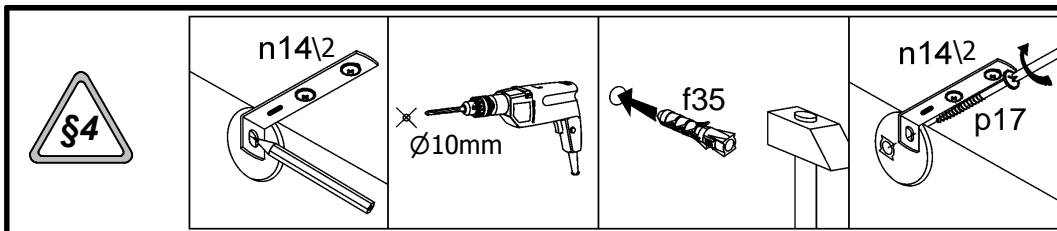
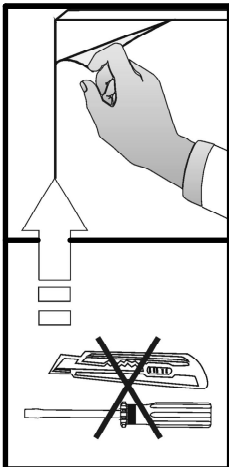
9



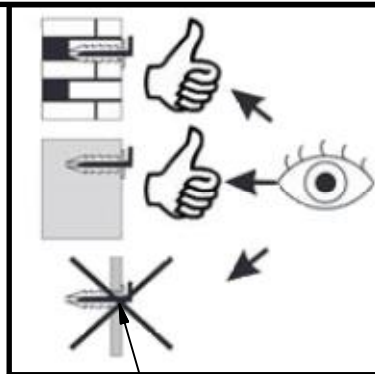
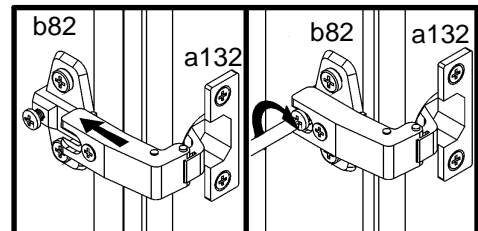
10



11

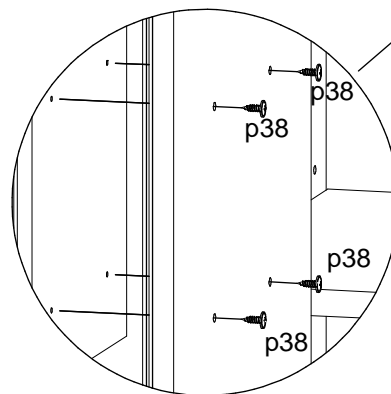
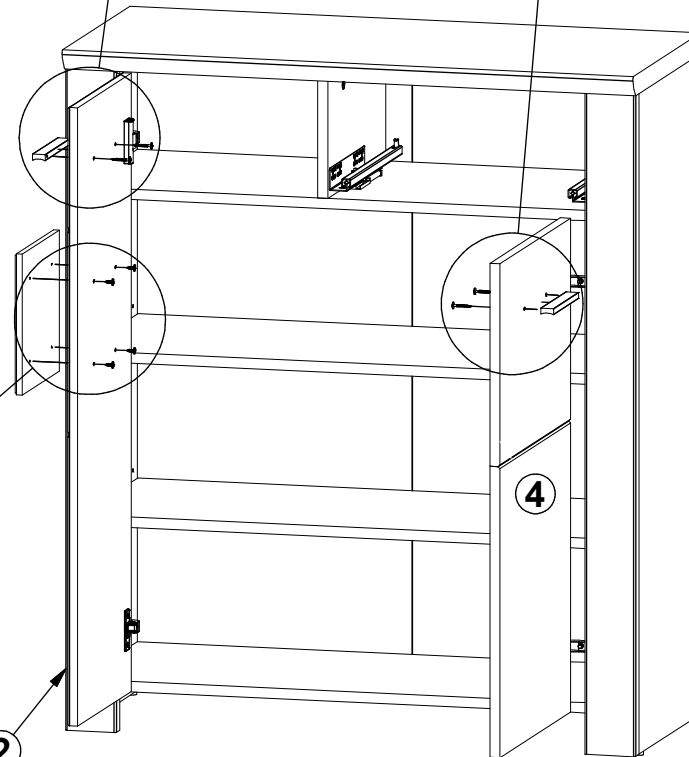
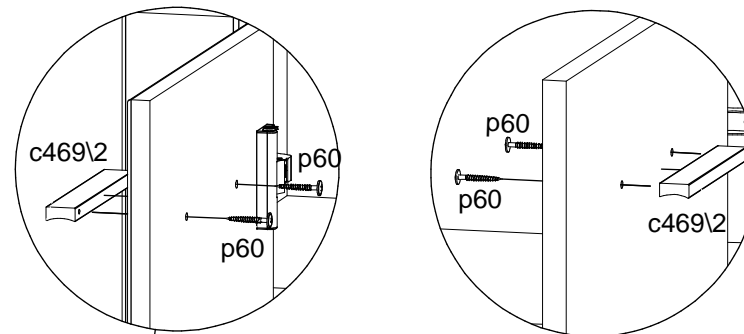


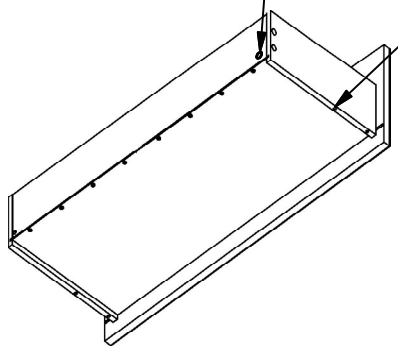
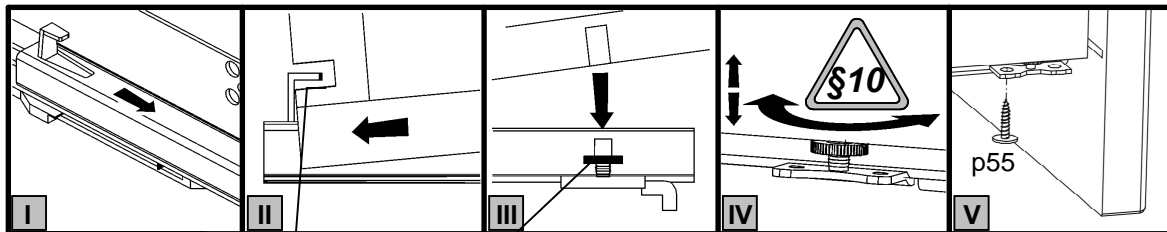
- 2x **p38**
Ø3,5x16 mm
- 1x **p17**
Ø5x60 mm
- 1x **n14\2**
86x21x15/1,5
- 1x **f35**
Ø10x50 mm



12

- 4x **p38**
Ø3,5x16 mm
- 4x **p60**
Ø4x22 mm
- 2x **c469\2**
L=148mm





11

