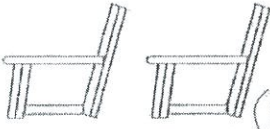

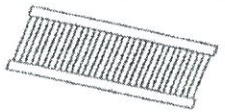

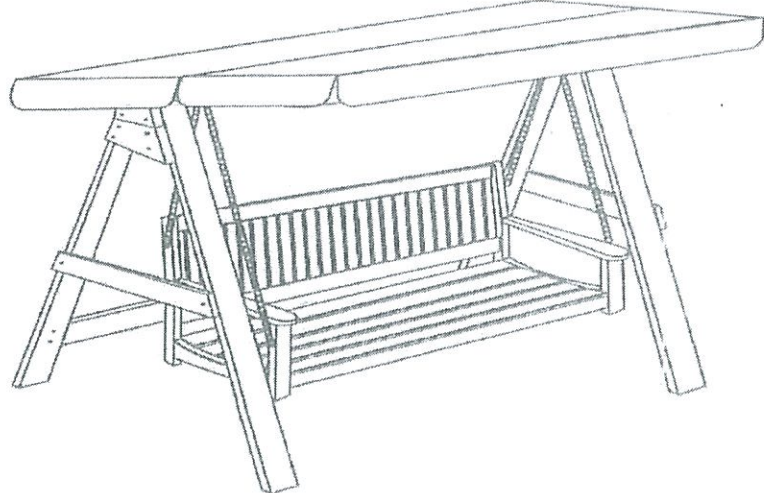









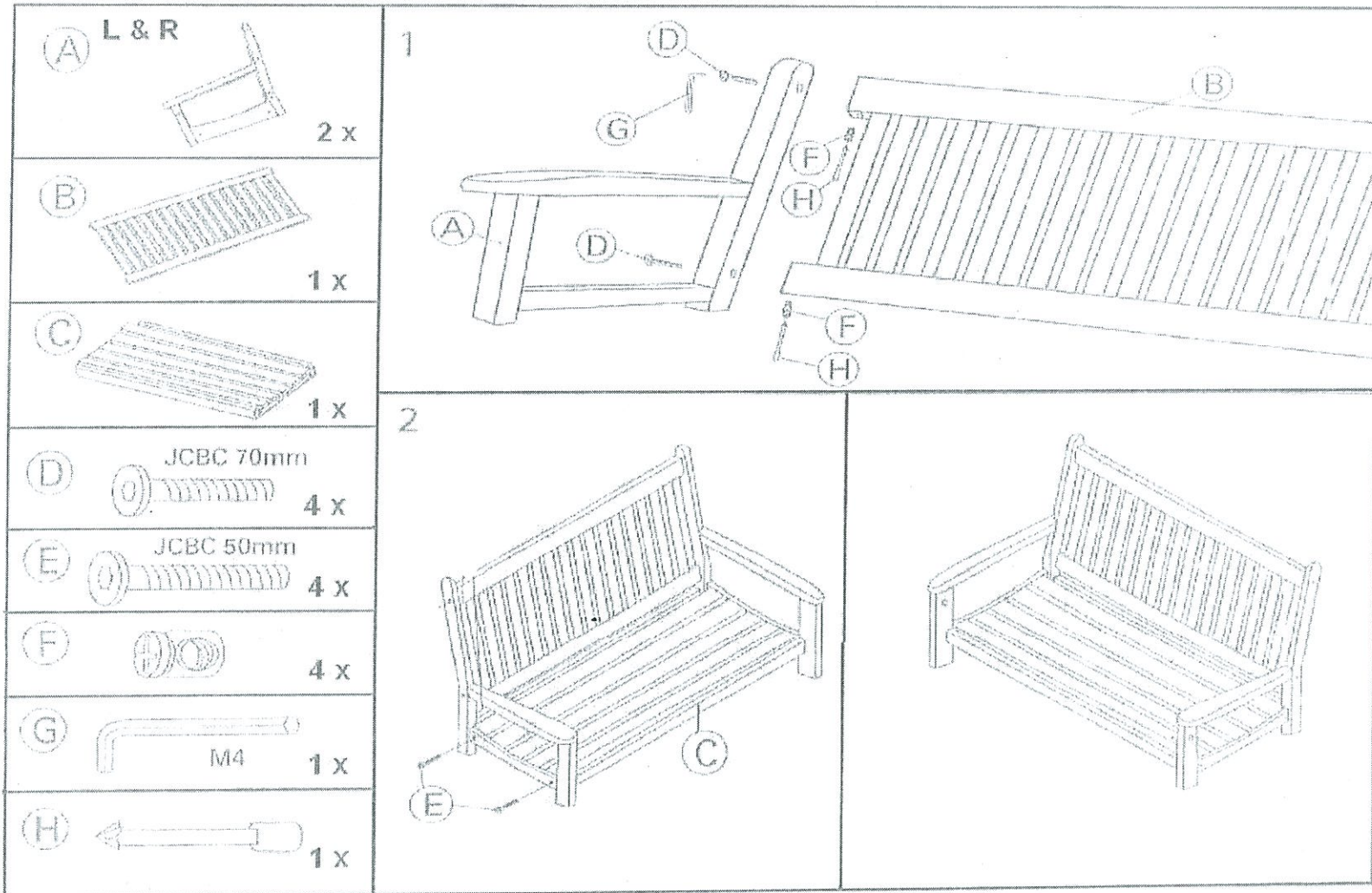


<p>(A)  (L+R) A. Side Assy (Chair) 2 x</p>	<p>(G)  G. Bottom Rail 1 x</p>	<h2 style="text-align: center;">ASSEMBLY INSTRUCTION 8520</h2>			
<p>(B)  B. Back Rest 1 x</p>	<p>(H)  H. Side Rail 2 x</p>				
<p>(C)  C. Seat 1 x</p>	<p>(I)  I. Support Bar 2 x</p>				
<p>(D)  D. Front leg (L&R) 2 x</p>	<p>(Ja)  J. Top Bar 2 x</p>				
<p>(E)  E. Back Leg (L&R) 2 x</p>	<p>(K)  K. Canopy Supporter (Long) - 2 x</p>				
<p>(F)  F. Top Rail 1 x</p>	<p>(L)  L. Canopy Supporter (Short) - 2 x</p>	<p>(M)  M. Canopy - 1 x</p>			

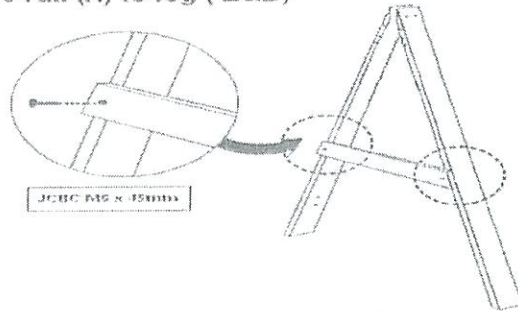
* It will require two people to assemble this product

PART 1 : BENCH ASSEMBLY

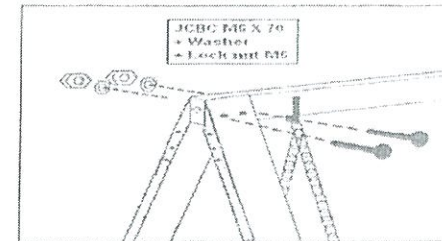


PART 2 : A- LEG ASSEMBLY

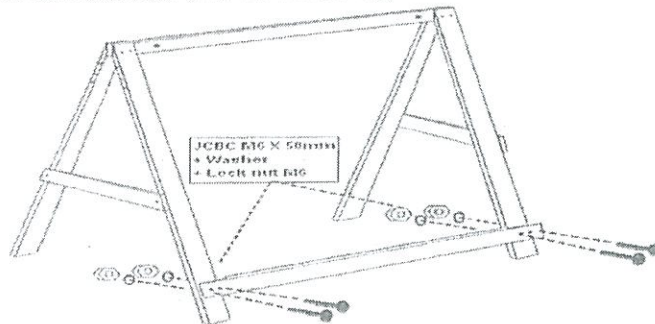
STEP 1 :
Screw in side rail (H) to leg (E&D)



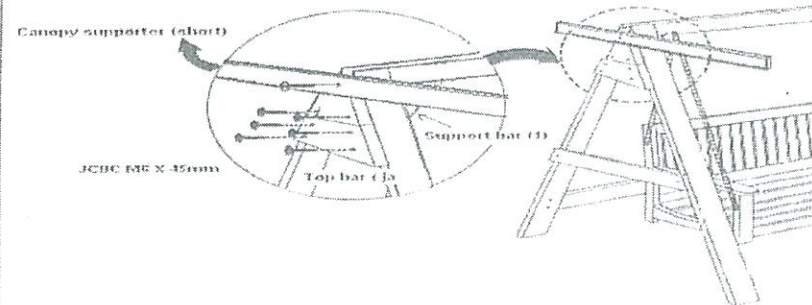
STEP 2 :
Screw in the rail (F) to leg assembly



STEP 3 :
Screw in bottom rail (G) to back leg






STEP 4 :
Screw in the top bar (Ja) to leg assembly



HARDWARE

- | | | |
|-------------------|---|------|
| 1. JCBC M6 X 70mm |  | 4 x |
| 2. JCBC M6 X 45mm |  | 20 x |
| 3. LOCK NUT M6 |  | 8 x |

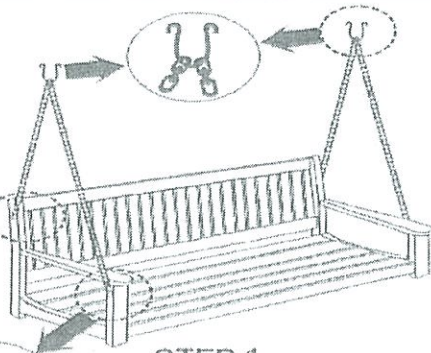
- | | | |
|--------------------|---|-----|
| 4. FLAT WASHER Ø13 |  | 8 x |
| 5. SPANNER |  | 1 x |
| 6. JCBC M6x50mm |  | 4 x |

Do not tighten nuts with wrench until assembly is completed

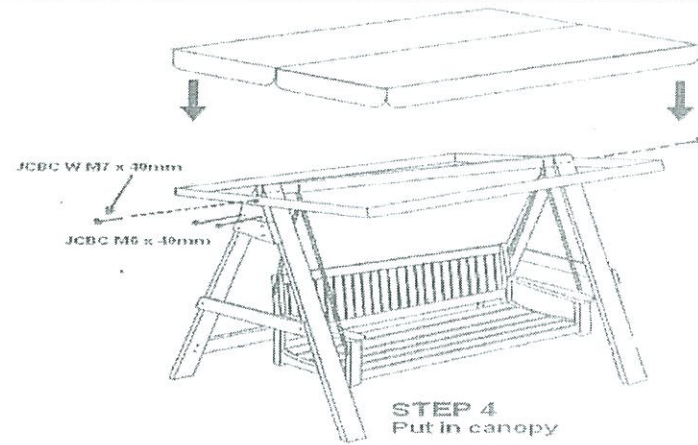
PART 3

- Nylon washer
- Ring 23 from end
- Flat washer
- Hex nut M8
- JCBC M8 x 60

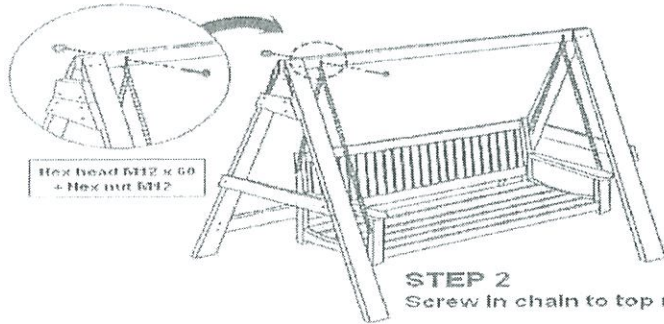
- Nylon washer
- Ring 21 from end
- Flat washer
- Hex nut M8
- JCBC M8 x 60



STEP 1
Screw in Chain to seat deck



STEP 4
Put in canopy



STEP 2
Screw in chain to top rail



STEP 3
Screw in canopy frame (K + L)

HARDWARE

1.	Hex head M12 x 60		2 x
2.	Hex nut M12		2 x
3.	U Hook		2 x
4.	Chain : Short		2 x
	: Long		2 x
5.	Hex nut M8		4 x
6.	Allen key		1 x
7.	JCBC M6 x 60mm		4 x
8.	JCBC-W M7 x 40mm		2 x
9.	Barrel nut		4 x
10.	M19 Spanner		1 x
11.	M13 Spanner		1 x
12.	Nylon washer		4 x
13.	JCBC M8 x 60mm		4 x
14.	Flat washer (M8x 22x12)		8 x

* Do Not tighten nuts with wrench until assembly is completed