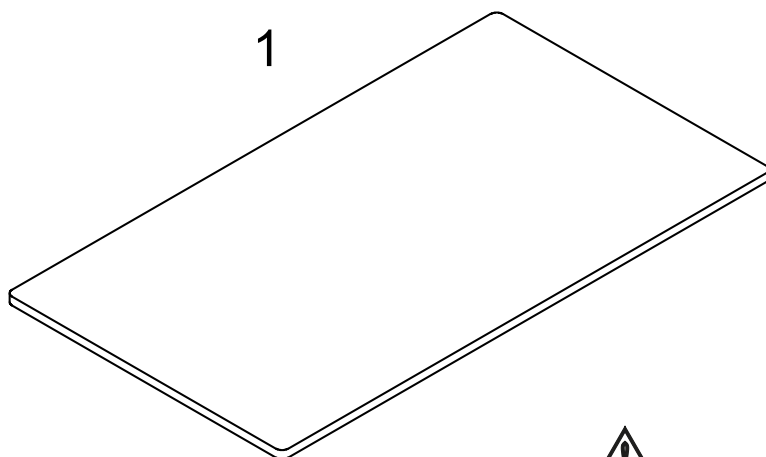
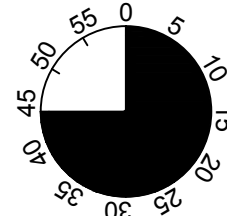
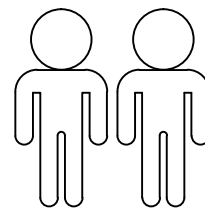
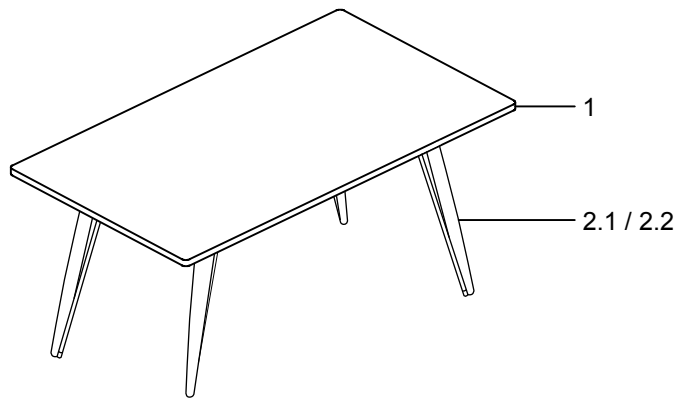
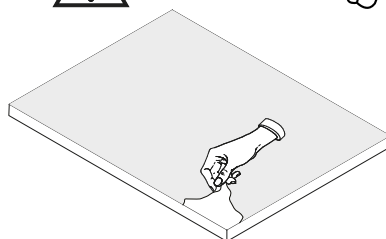
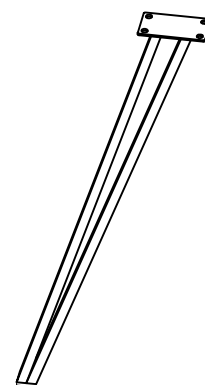
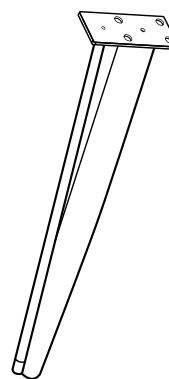


G 103 / G 112

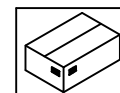
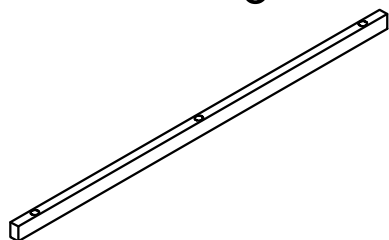


2.1



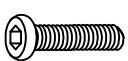







2.2



3

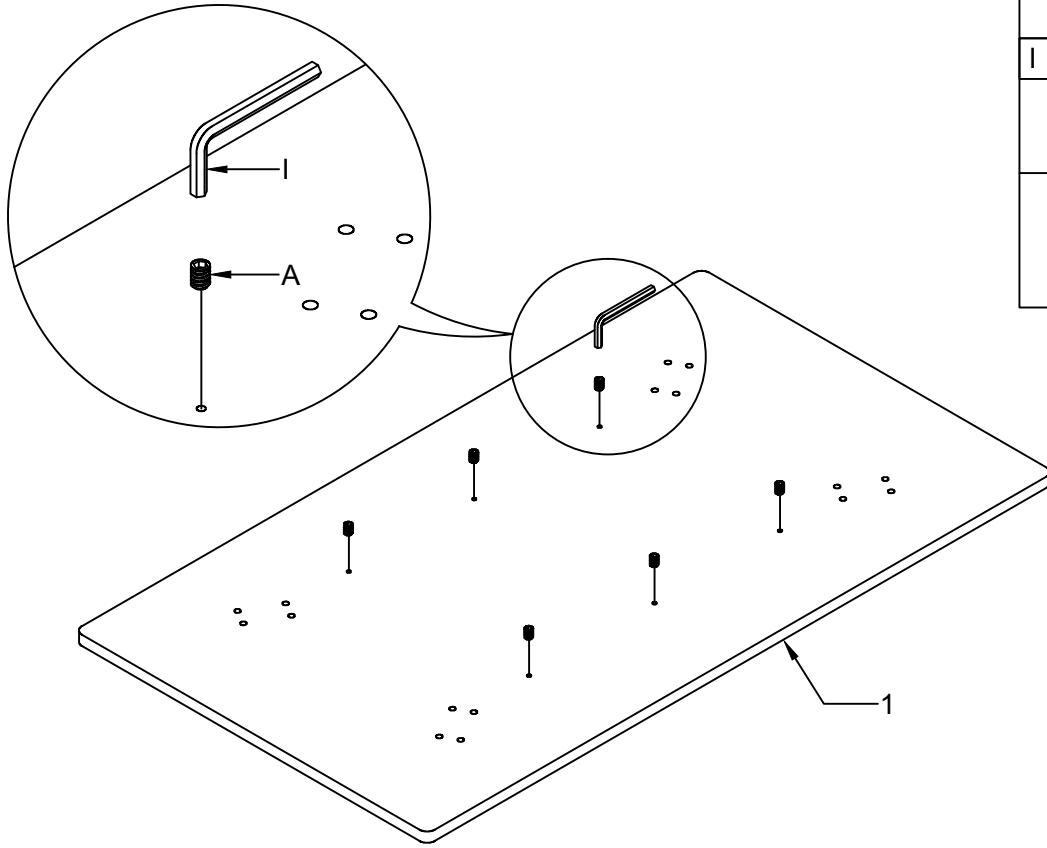





1	1X	1/2
2.1/2.2	4X	2/2
3	2X	2/2

A	 M6x12 6x	B	 M8x12 16x	C	 M6x35 6x	D	 M8x16 16x	E	 Ø18xØ8x1.5 16x	F	 Ø25 (2.2) 4x
G	 Ø18xØ6x2.5 2x	H	 5MM 1x	I	 6MM 1x	J	 8MM 1x				

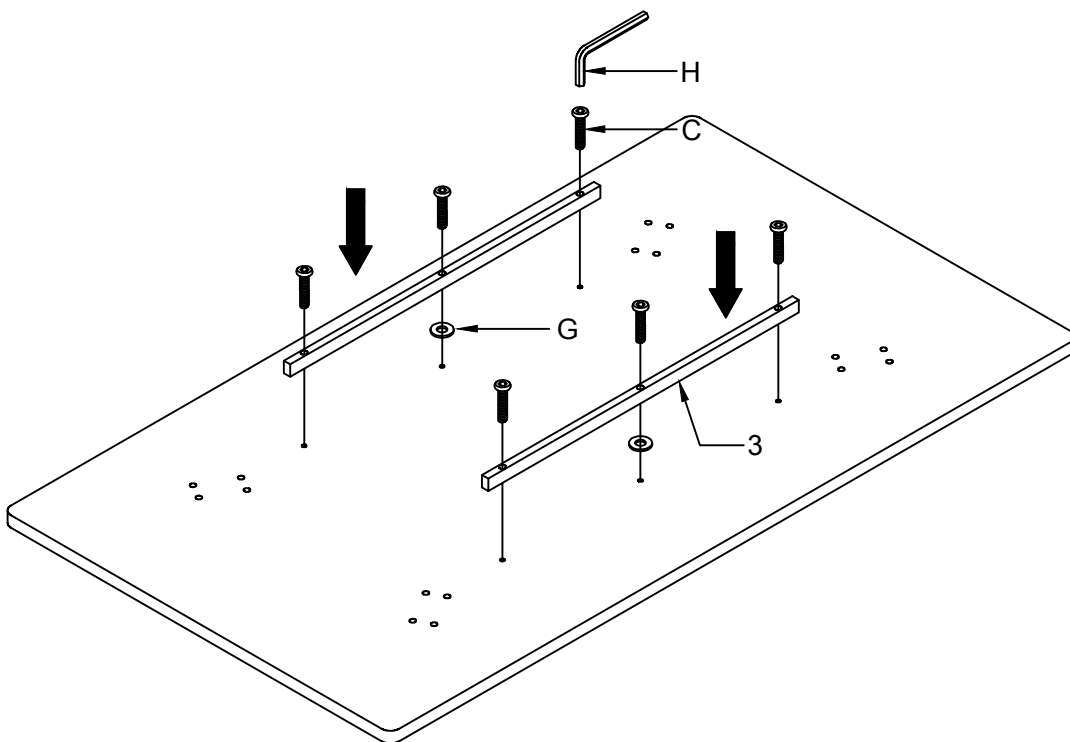
I.





1.



A	M6x12
	6x
I	6MM
	1x
	

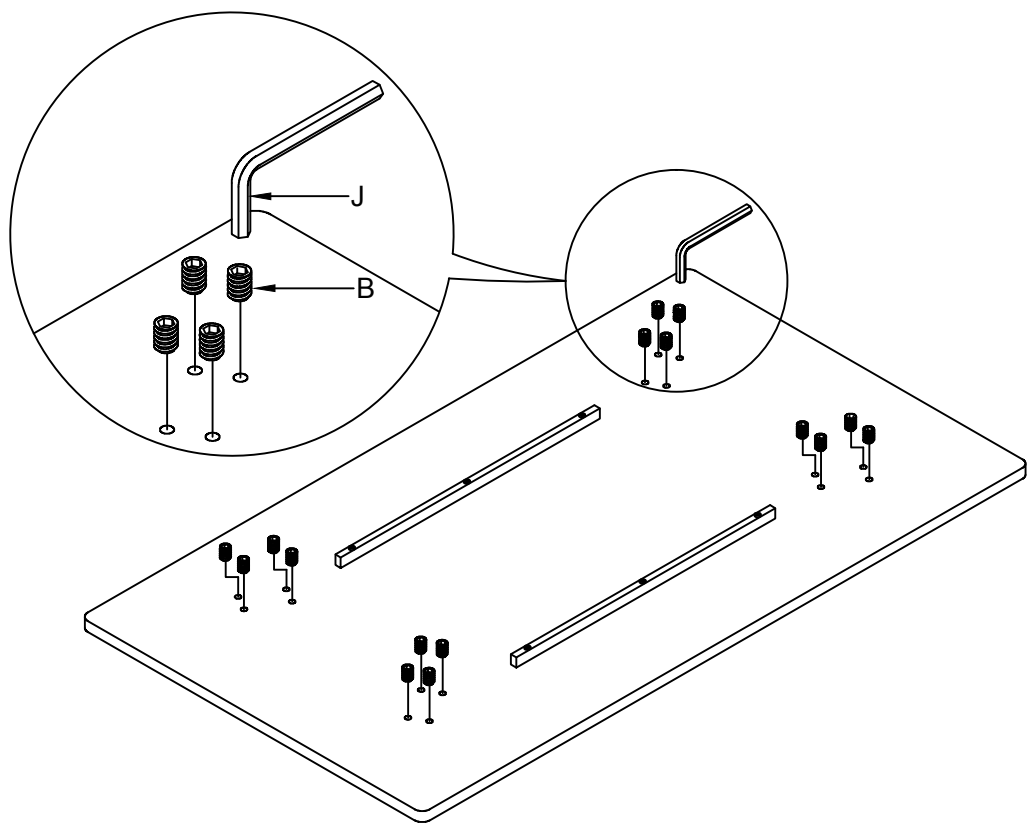
2.


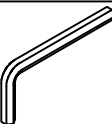



G	Ø18xØ6x2.5	C	M6x35
	2x		6x
		H	5MM
			1x
			

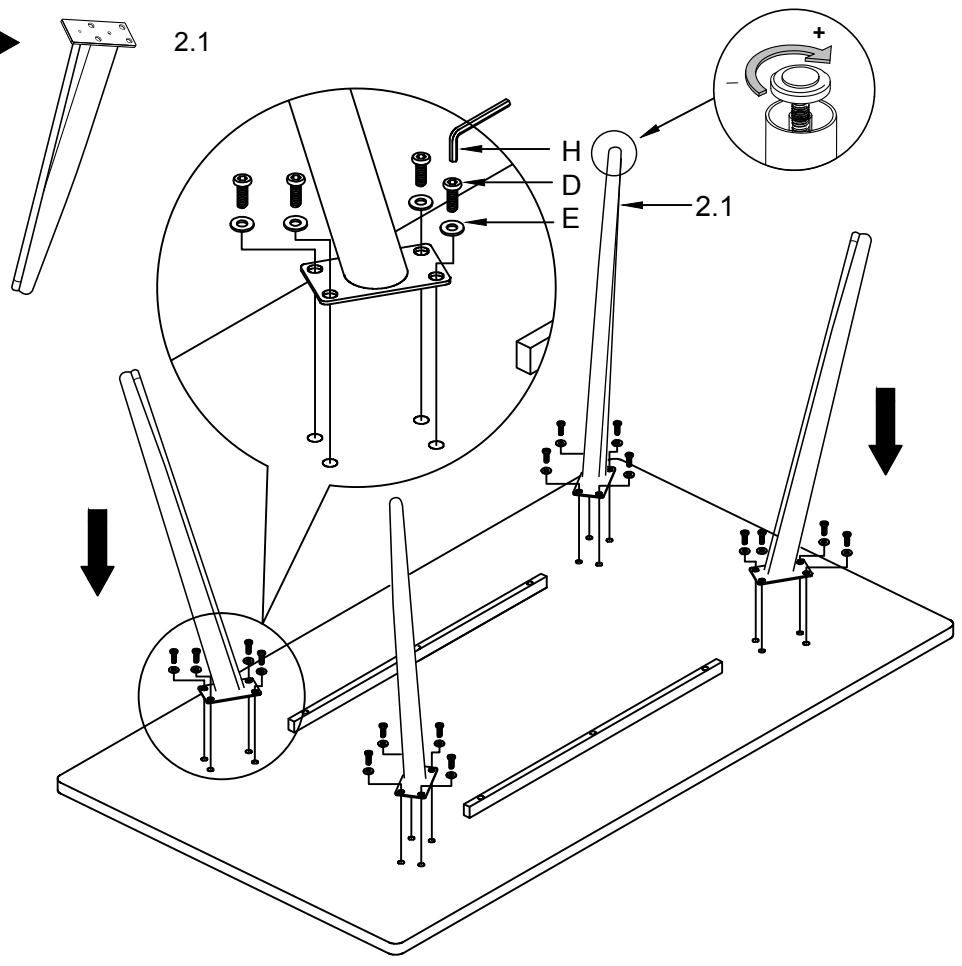
II.

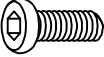


3.



- B** M8x12

 16x
- J** 8MM

 1x
- 

4.1 →



- D** M8x16

 16x
- E** Ø18xØ8x1.5

 16x
- H** 5MM

 1x
- 