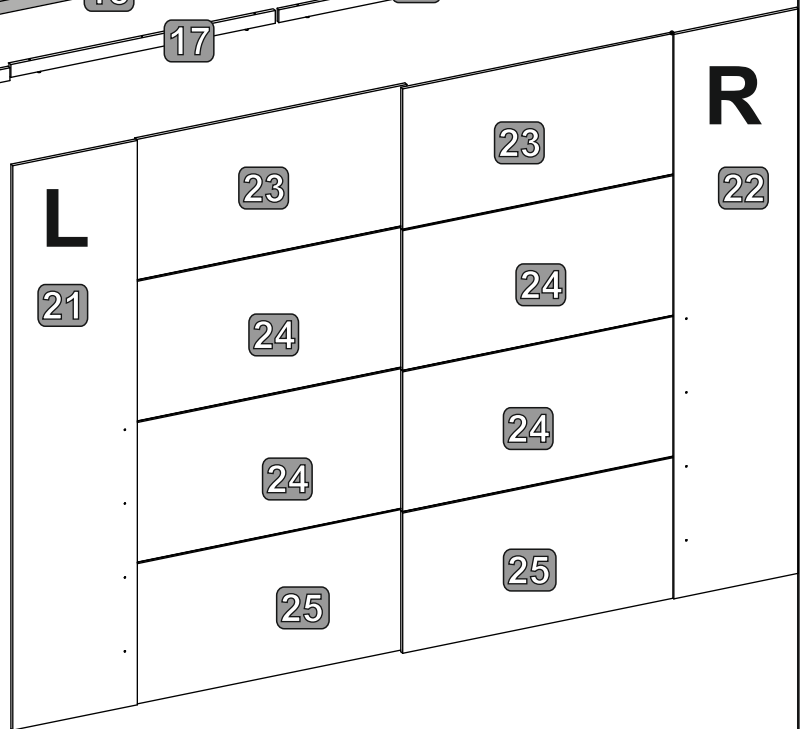
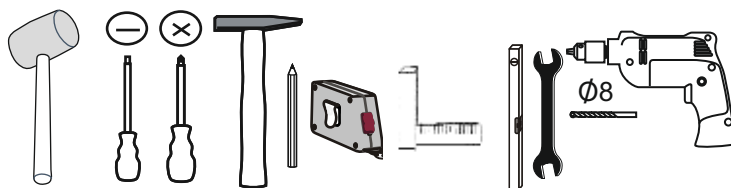
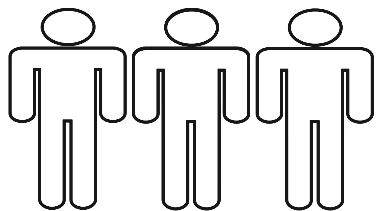




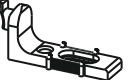
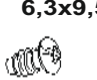







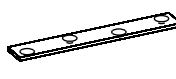


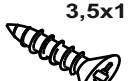

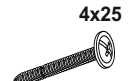






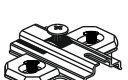
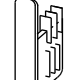






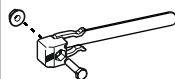
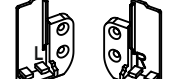
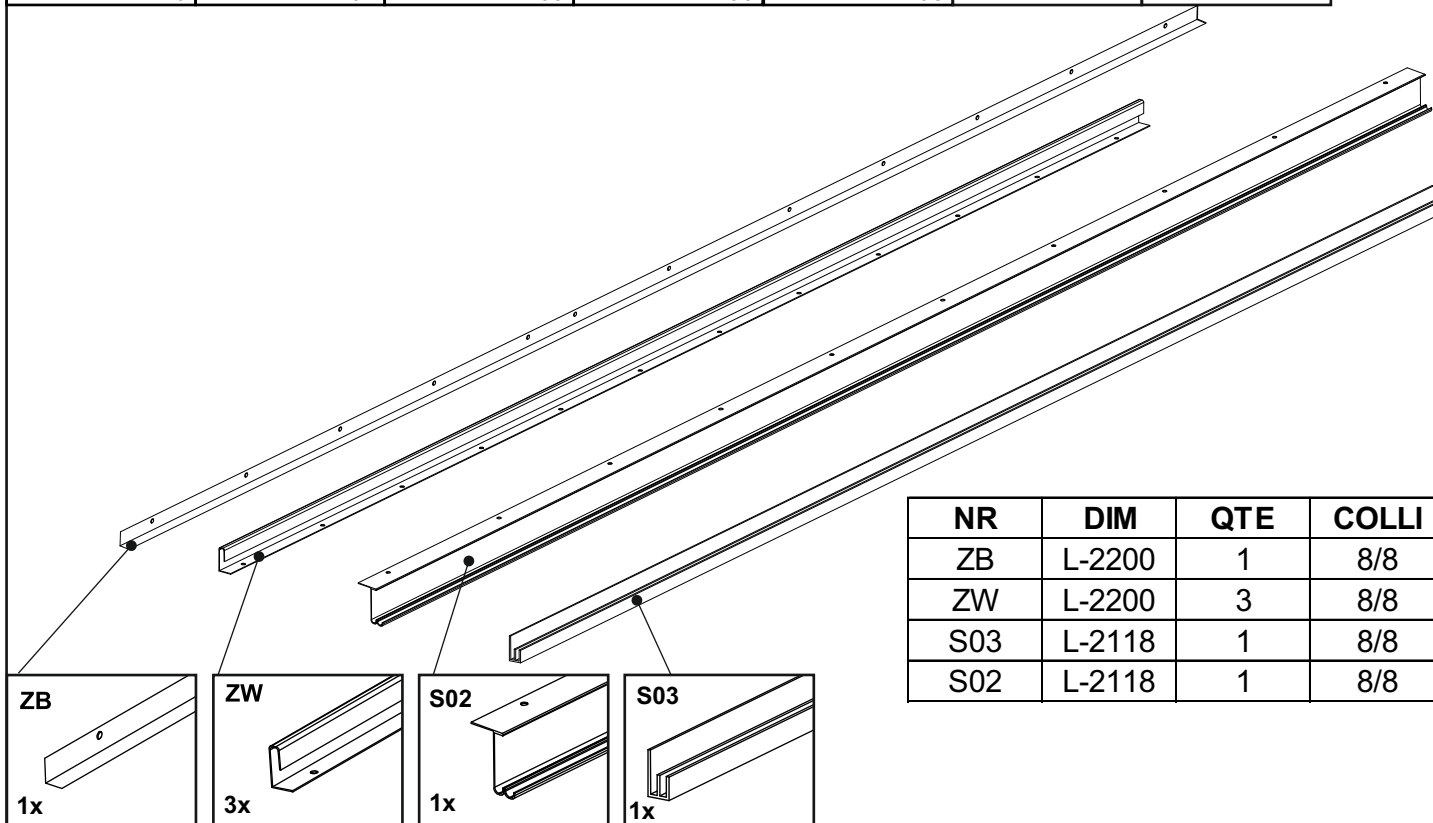


NR	DIM	QTE	COLLI
1	2250x560x15	1	2/8
2	2250x560x15	1	2/8
3	2249x535x15	1	3/8
4	2250x588x15	1	4/8
5	2250x588x15	1	4/8
6	469,5x560x15	1	2/8
7	469,5x541x22	1	1/8
8	469,5x560x15	1	2/8
9L	1052,5x535x15	1	1/8
9P	1052,5x535x15	1	1/8
10	1052,5x516x22	2	3/8
11L	1052,5x535x15	1	1/8
11P	1052,5x535x15	1	1/8
12	469,5x588x15	1	4/8
13	469,5x569x22	1	1/8
14	469,5x588x15	1	4/8
15	469,5x50x15	2	2/8
16	469,5x50x15	2	2/8
17	1052,5x50x15	2	1/8
18	1052,5x50x15	2	1/8
19	2188x476x2	2	2/8
20	2188x1059x2	2	3/8
21	2200x496x15	1	5/8
22	2200x496x15	1	5/8
23	1075x550x15	2	6/8;7/8
24	1075x550x15	4	6/8;7/8
25	1075x550x15	2	6/8;7/8





 48x T05	 48x T04	 5x40 20x W06	 L3 1x K02	 30x R02	 6,3x9,5 30x W20	 8x E03
 3,5x13 180x W02	 6x11 28x W12	 26x S01	 6,3x13 10x W49	 L-1048 mm 2x J01	 L-464 2x J03	 18x W08
 Ø13 20x C02	 KR-0 8x Z02	 3,5x16 16x W30	 L-900 2x U-43	 4x25 8x W05	 24x E02	 6x8 24x W10
 2x P01	 4x13 4x W07	 2x F01	 2x F11	 8x Z04	 H-37 6x ZA2	 3x Sz1
 2x P-10	 2x P-07	 1x P-09	 2x P-06	 1x P-08	 2x F-02	 L+R 1x G-02

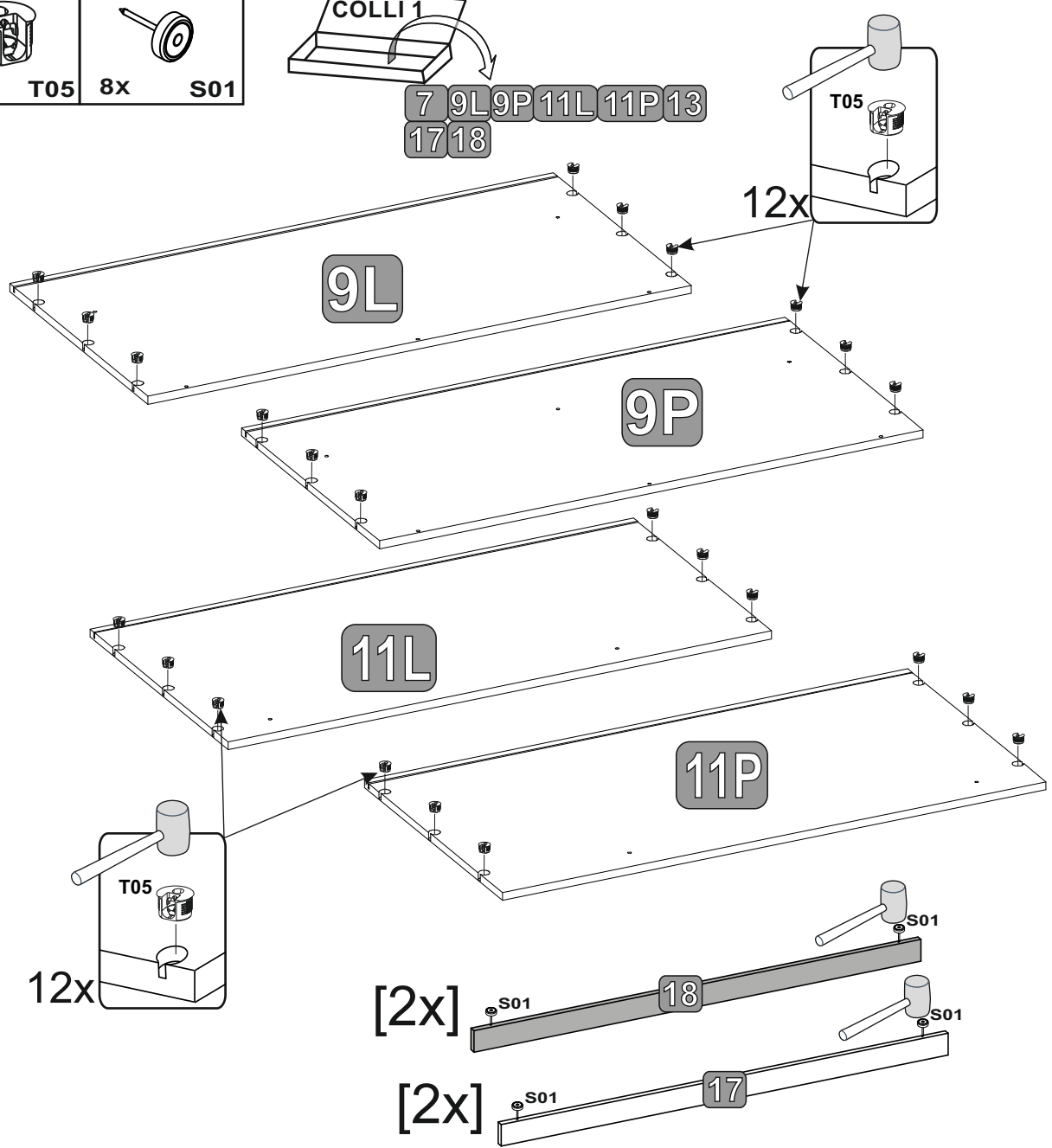
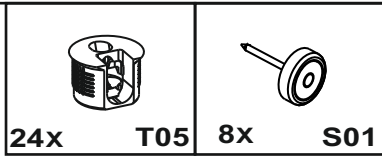


NR	DIM	QTE	COLLI
ZB	L-2200	1	8/8
ZW	L-2200	3	8/8
S03	L-2118	1	8/8
S02	L-2118	1	8/8

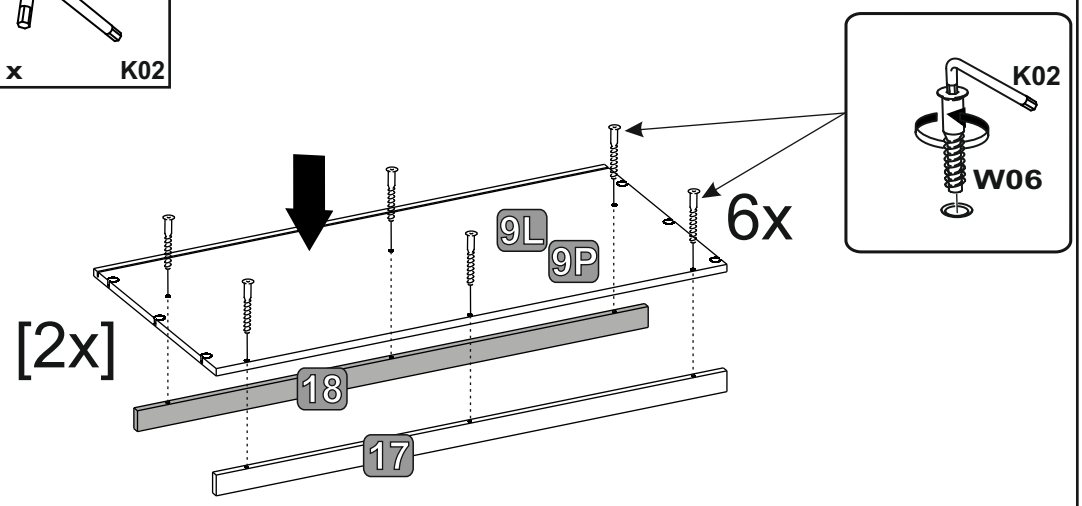
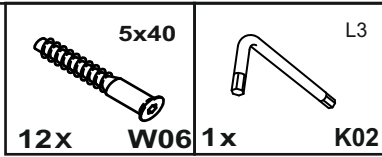
0 10 20 30 40 50 60 70 80 90 100



1

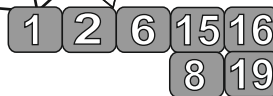


2

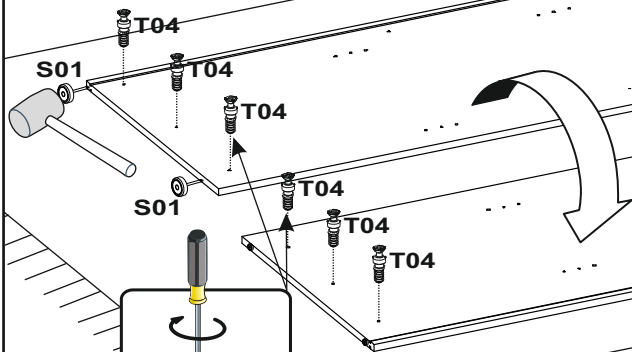
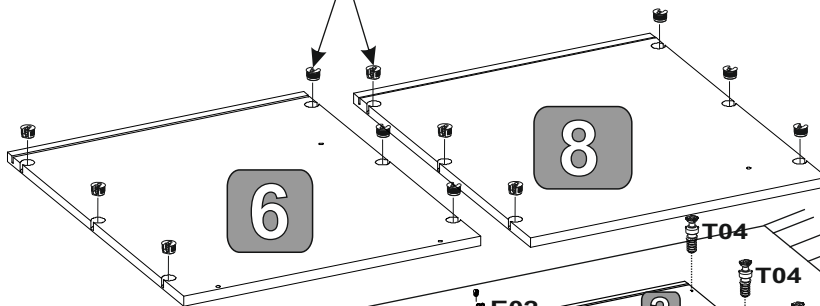
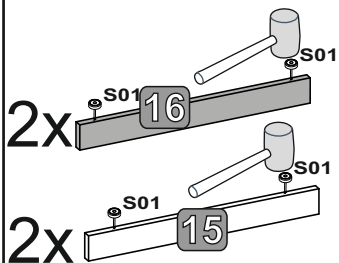
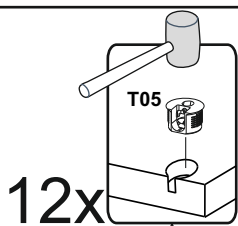


3

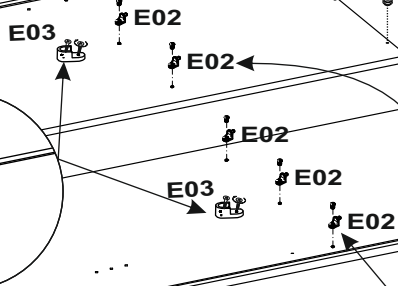
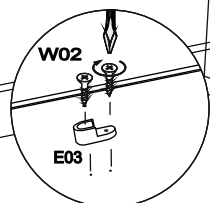
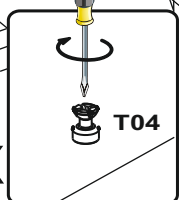
12x	S01	3x	E03	9x	E02	6x	W02	3,5x13
18x	T04	4x	Z04	9x	W10	12x	T05	



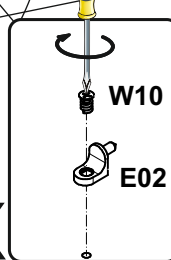
12x



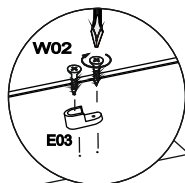
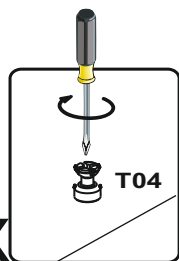
12x



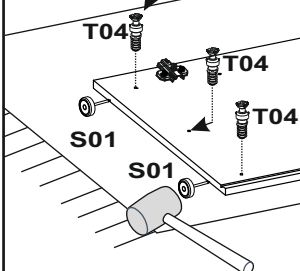
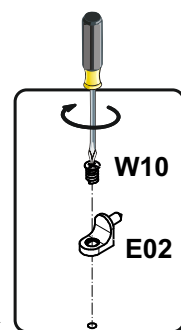
6x



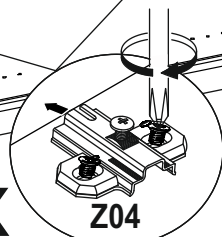
6x



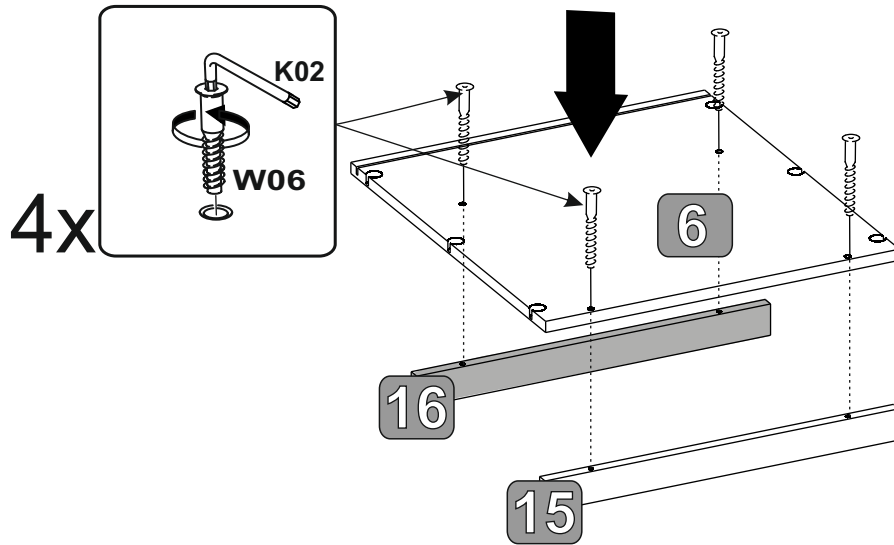
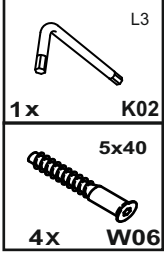
3x



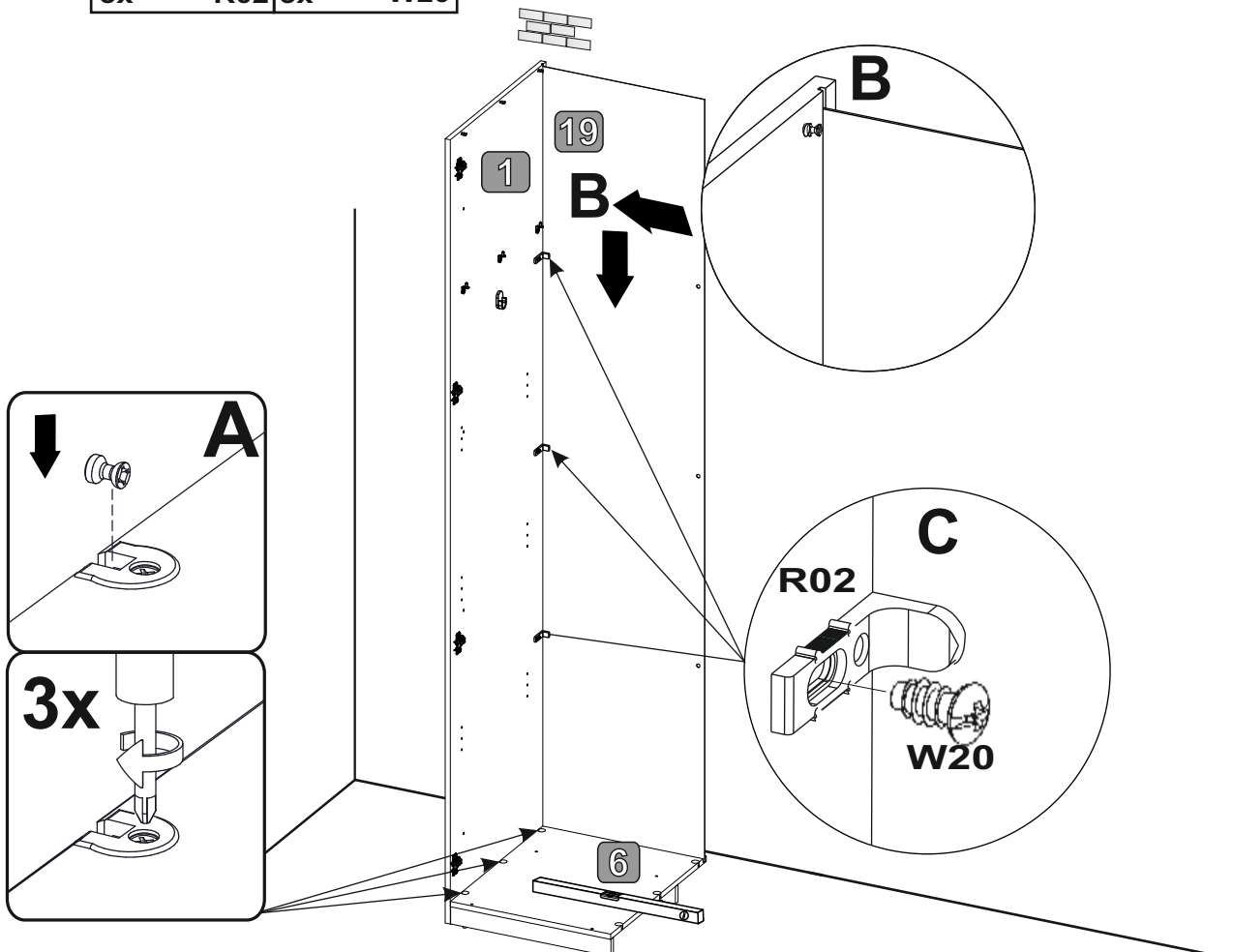
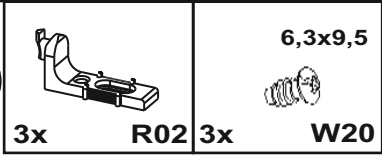
4x



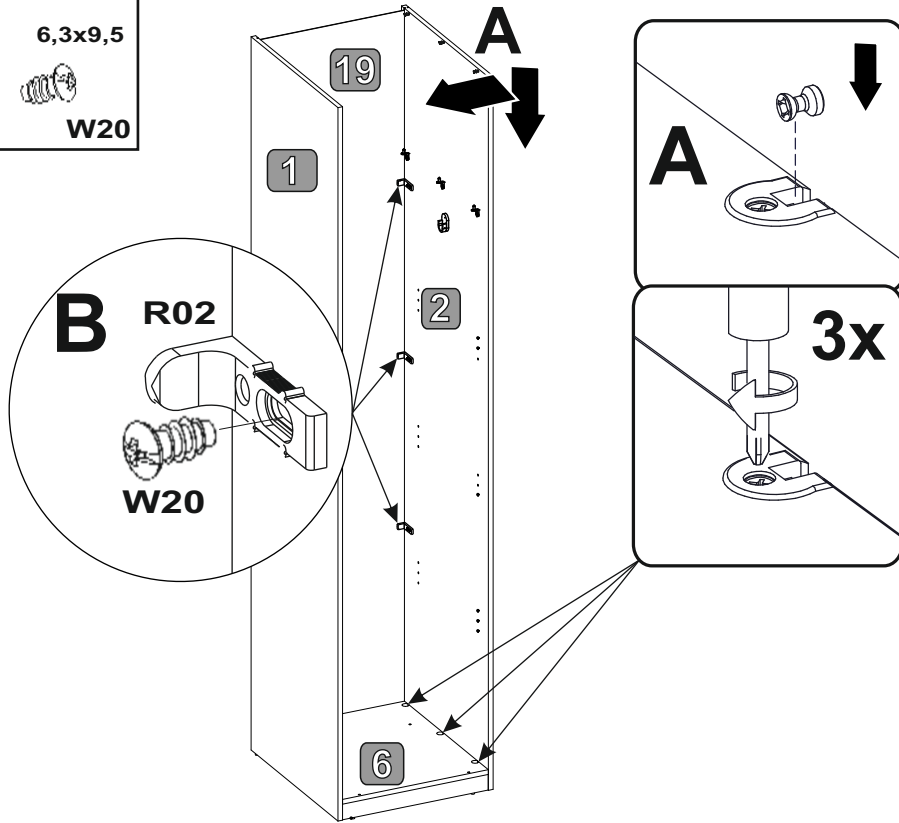
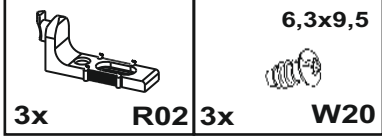
4



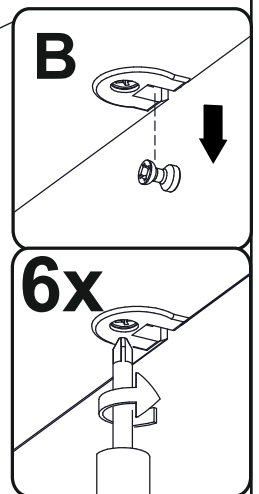
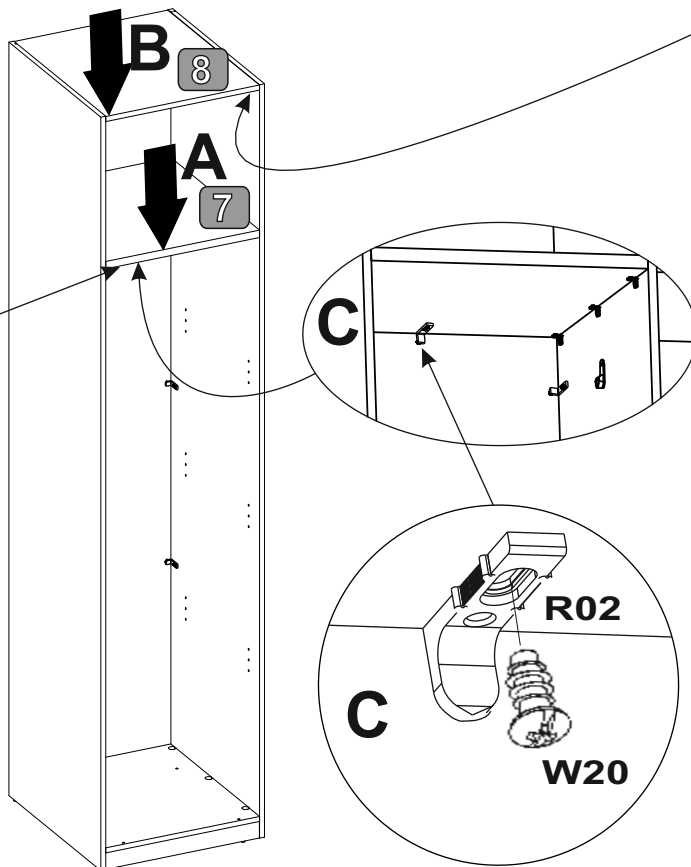
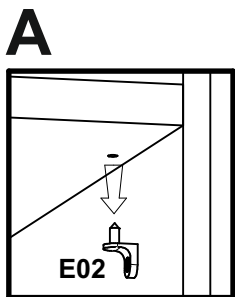
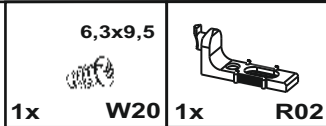
5







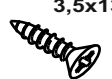

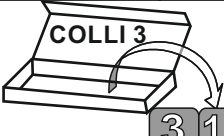

6

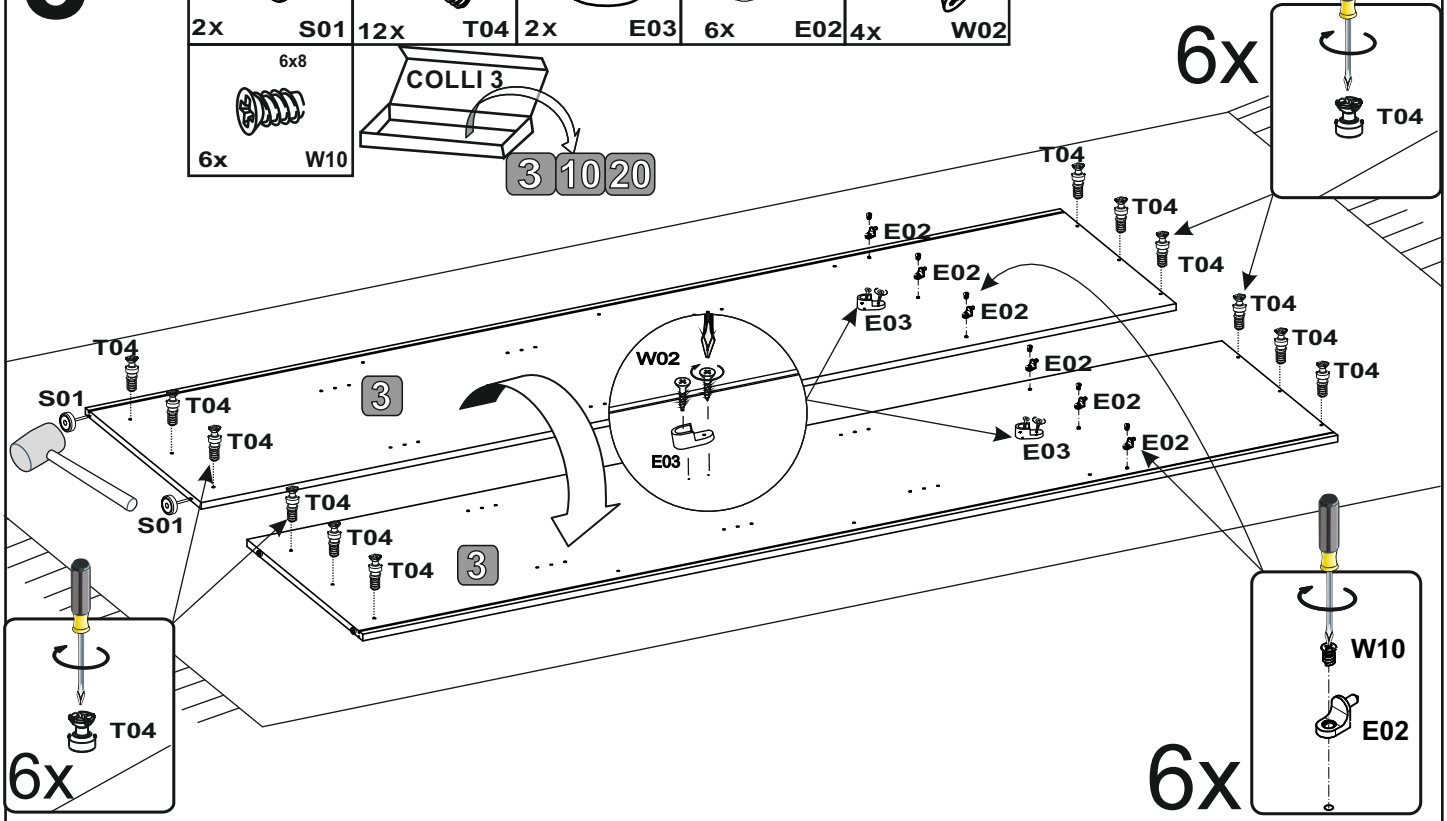


7

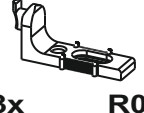



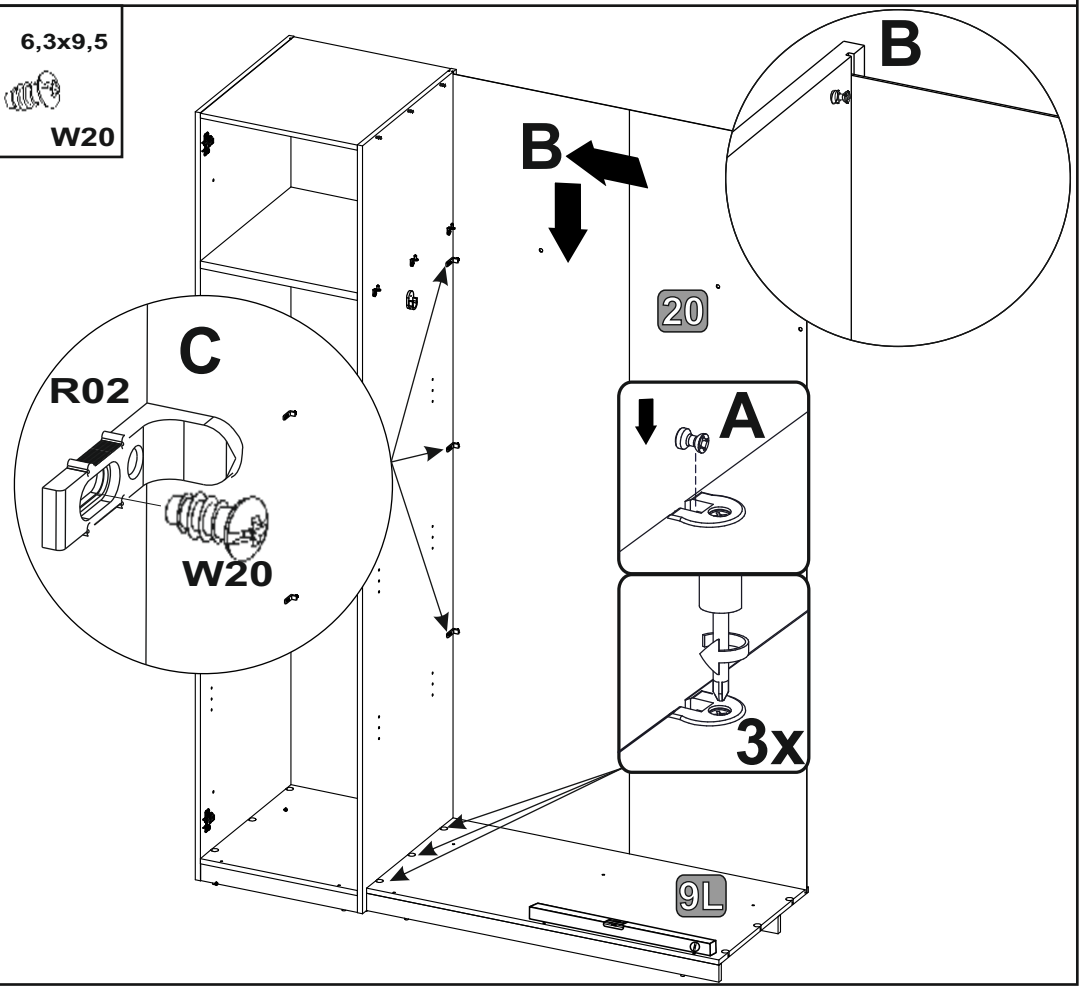
8

2x		S01	12x		T04	2x		E03	6x		E02	4x		W02
6x		W10			COLLI 3									

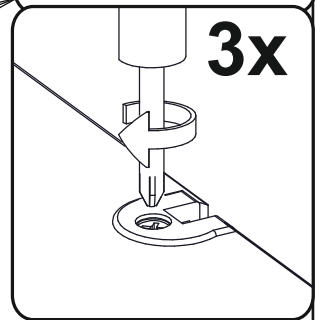
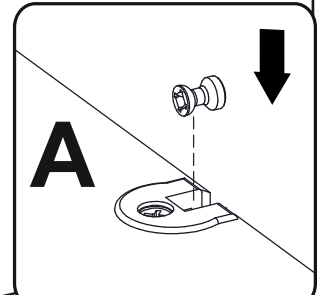
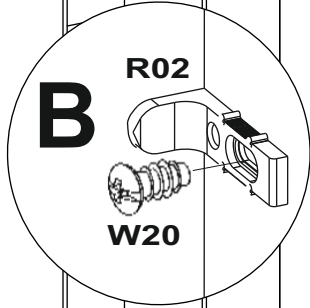
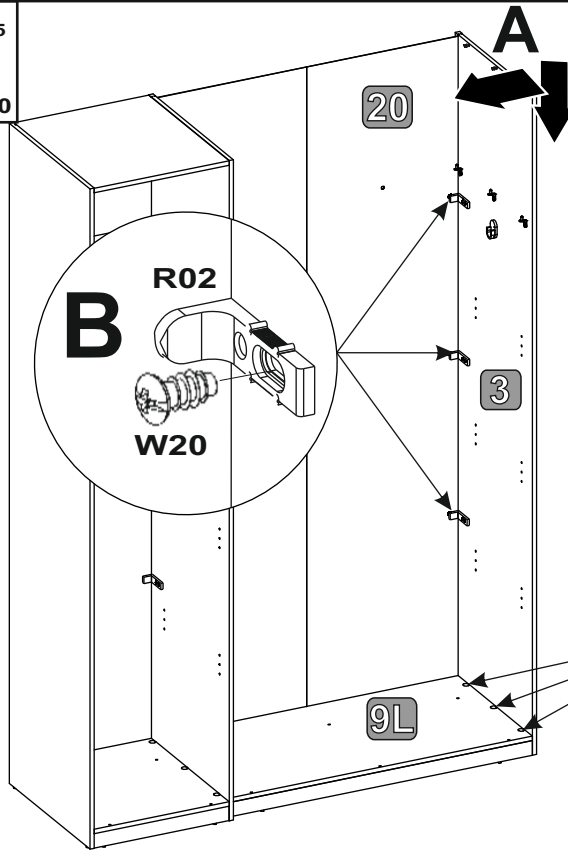


9

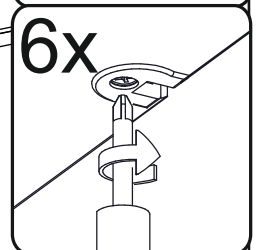
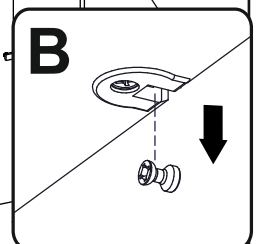
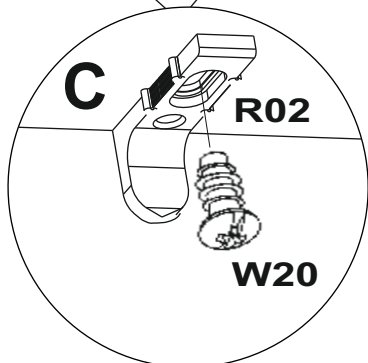
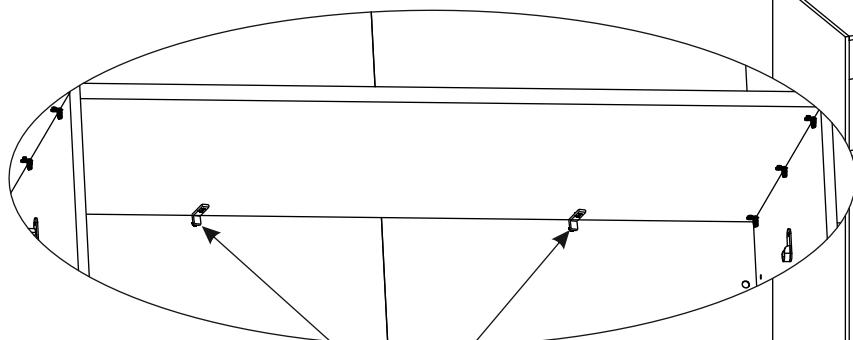
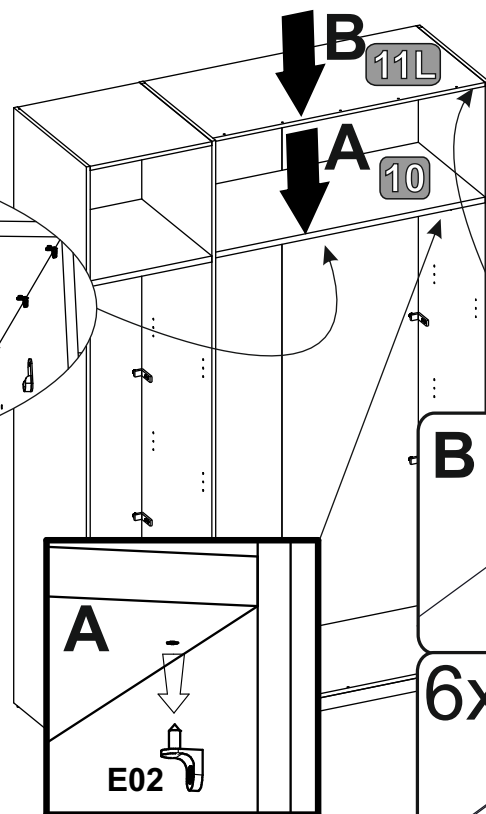
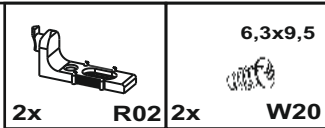
3x		R02	3x		W20
----	---	-----	----	---	-----

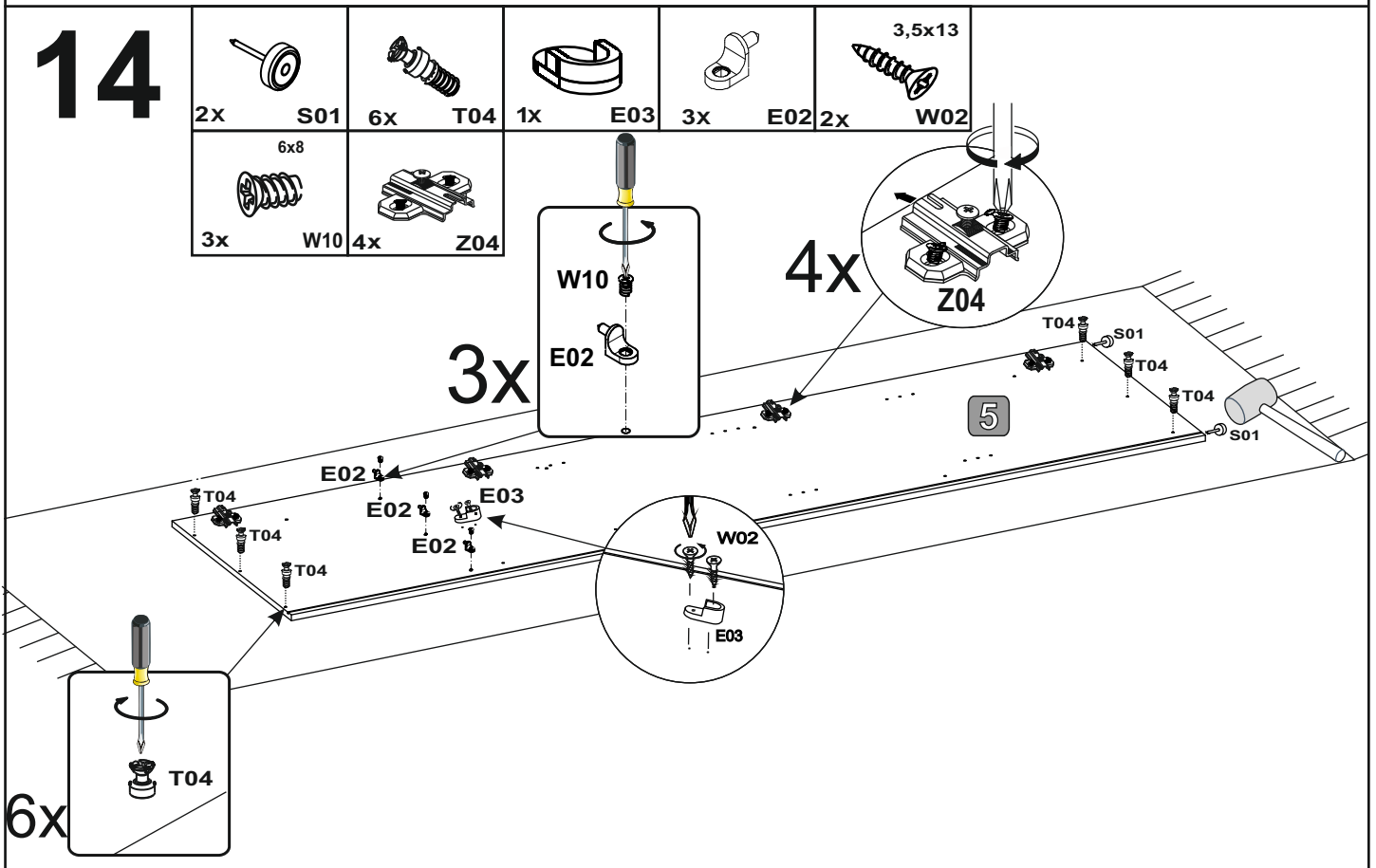
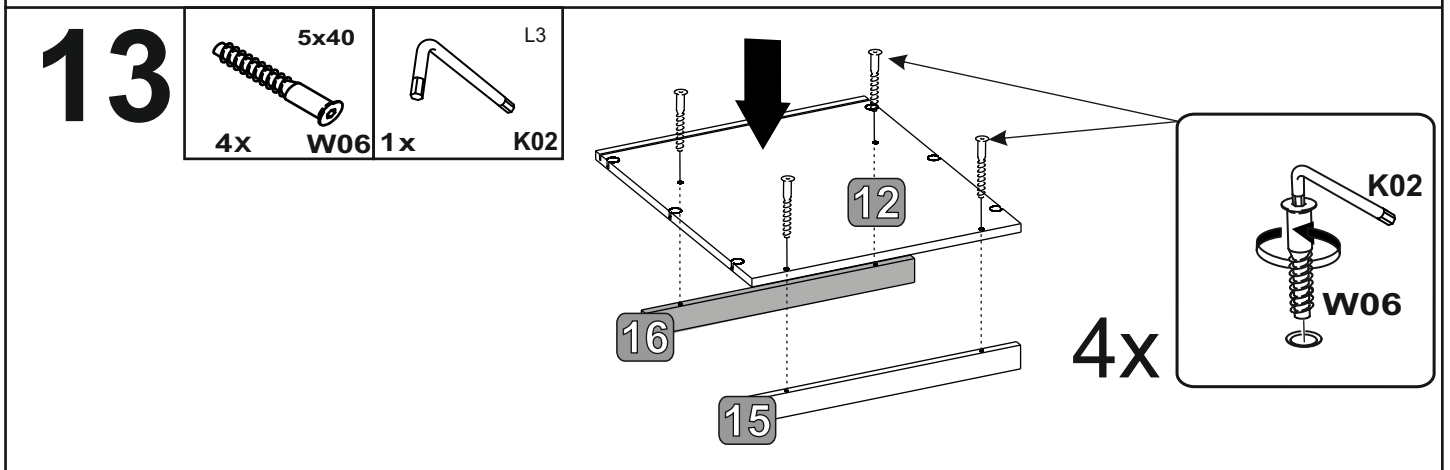
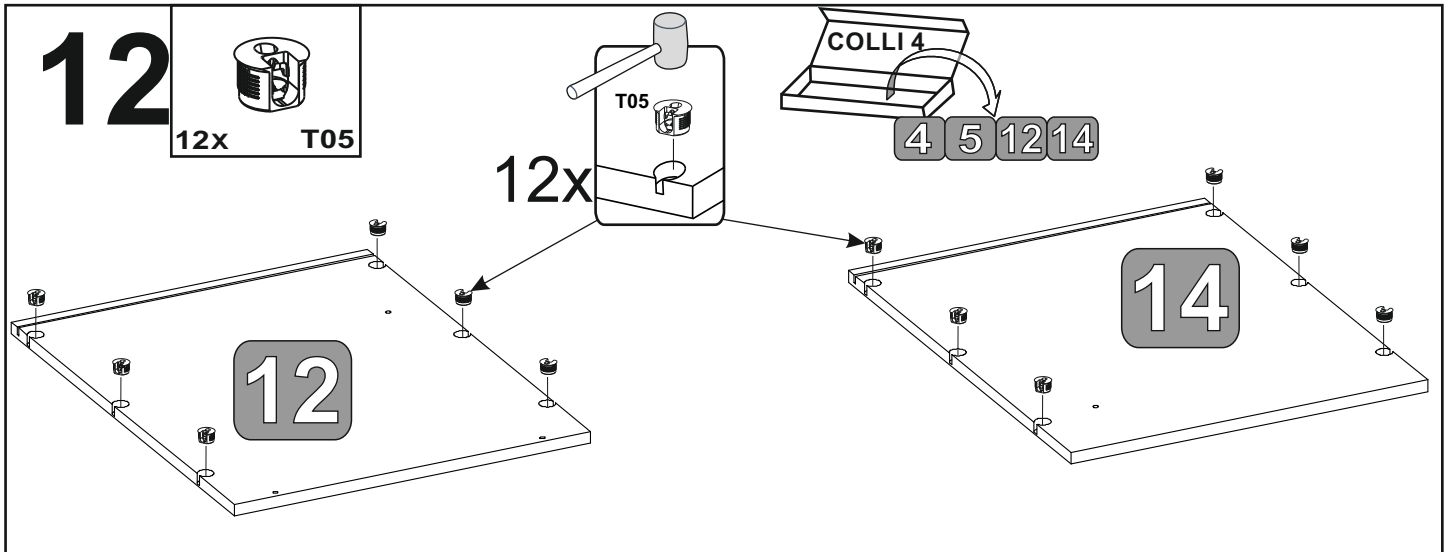


10





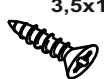



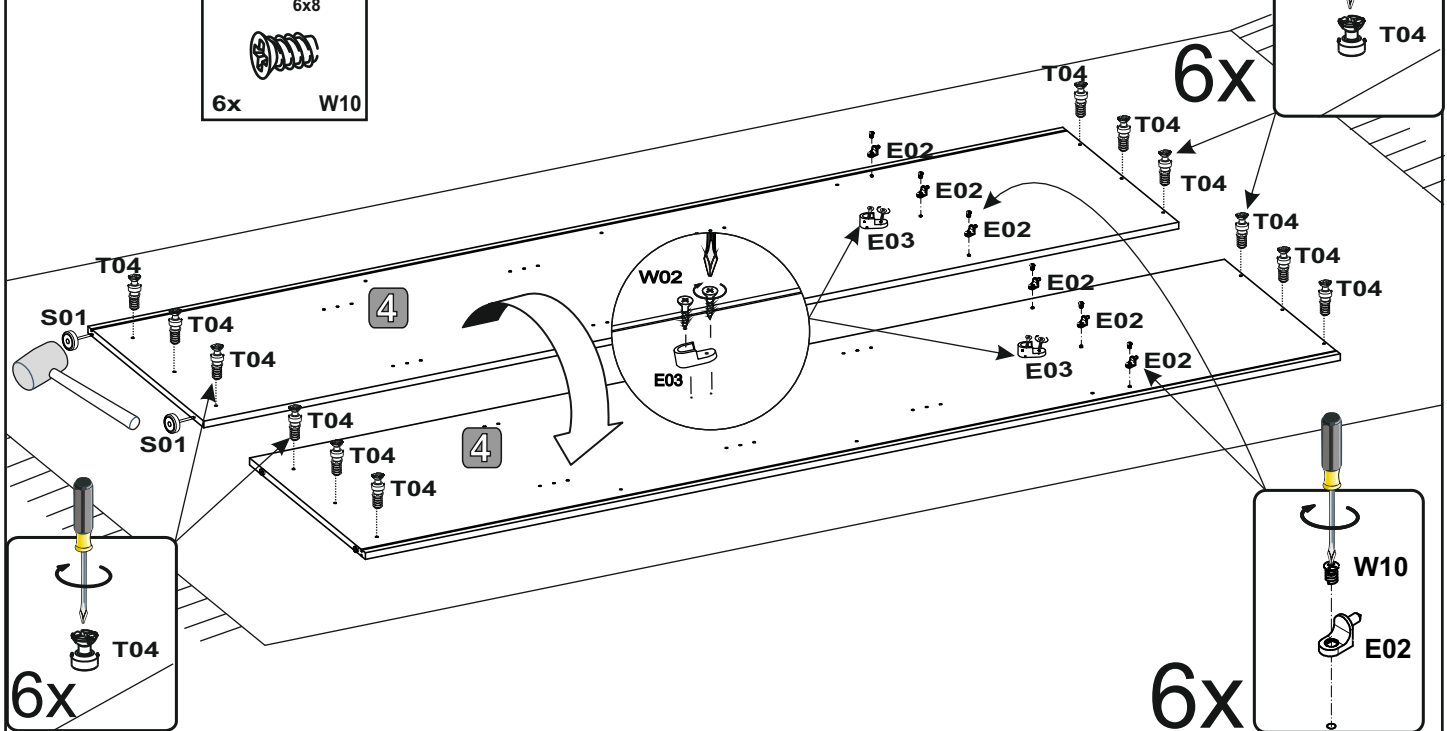
11







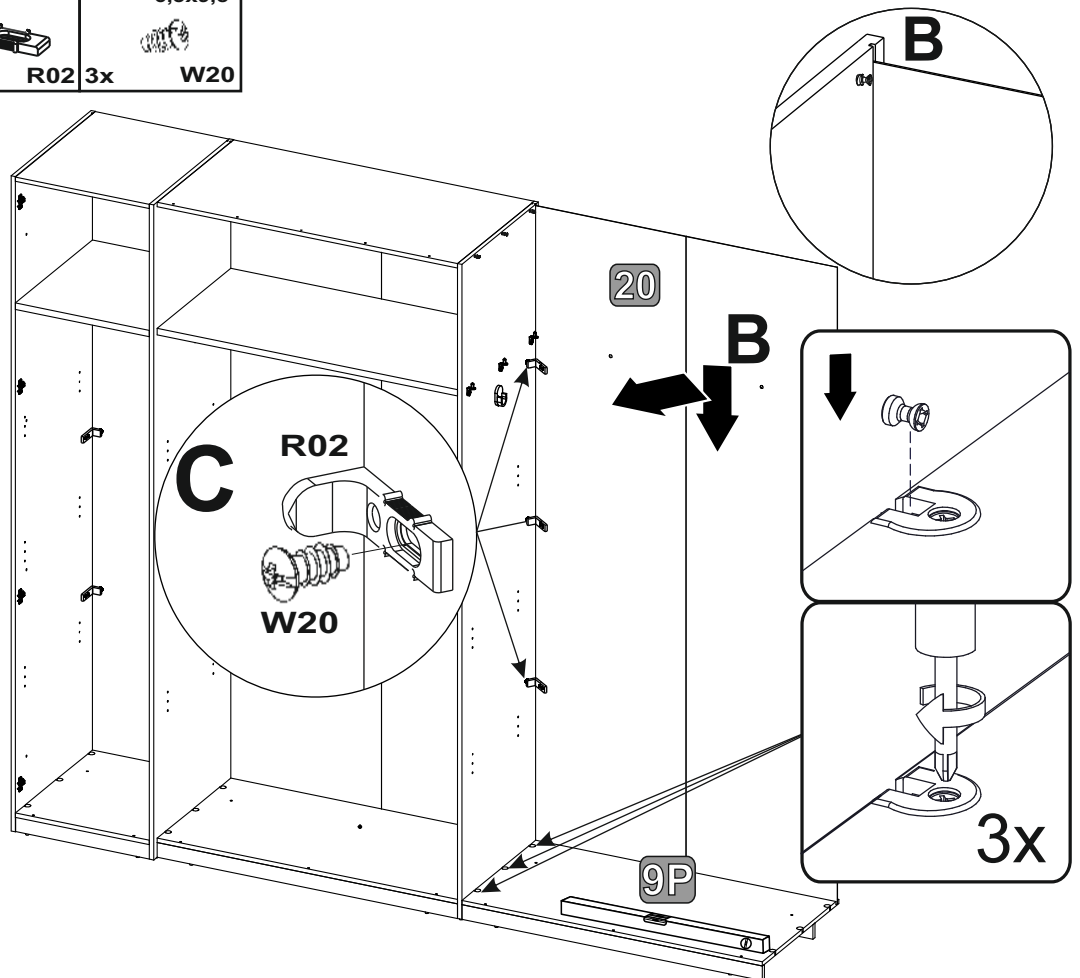
15

2x		S01	12x		T04	2x		E03	6x		E02	4x		W02	3,5x13
6x		W10	6x8												

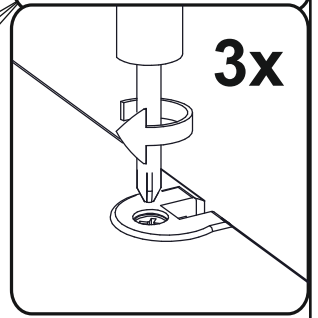
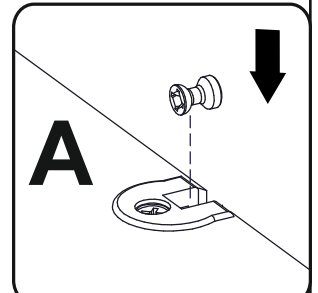
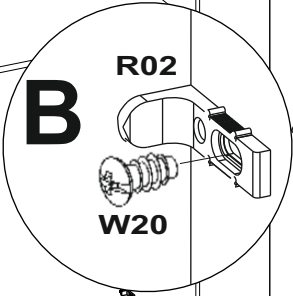
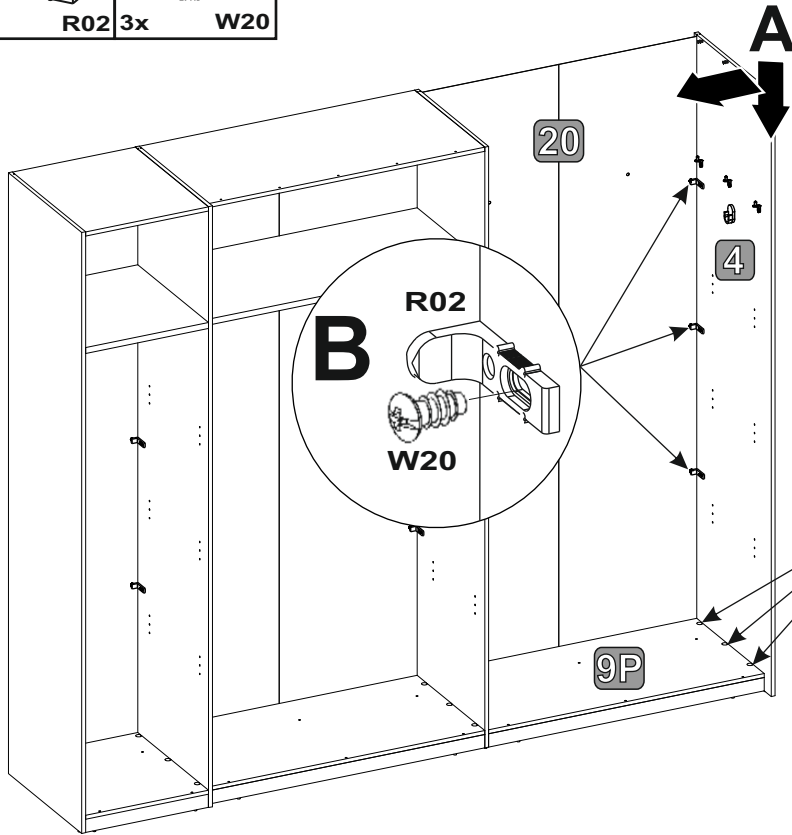
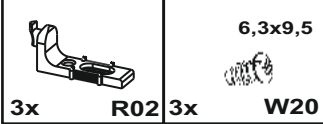


16

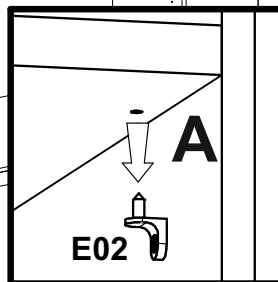
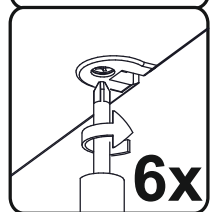
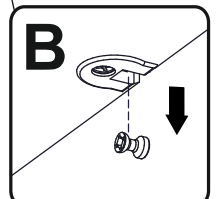
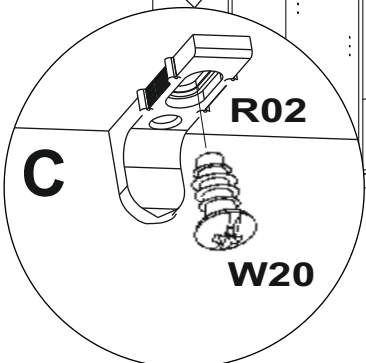
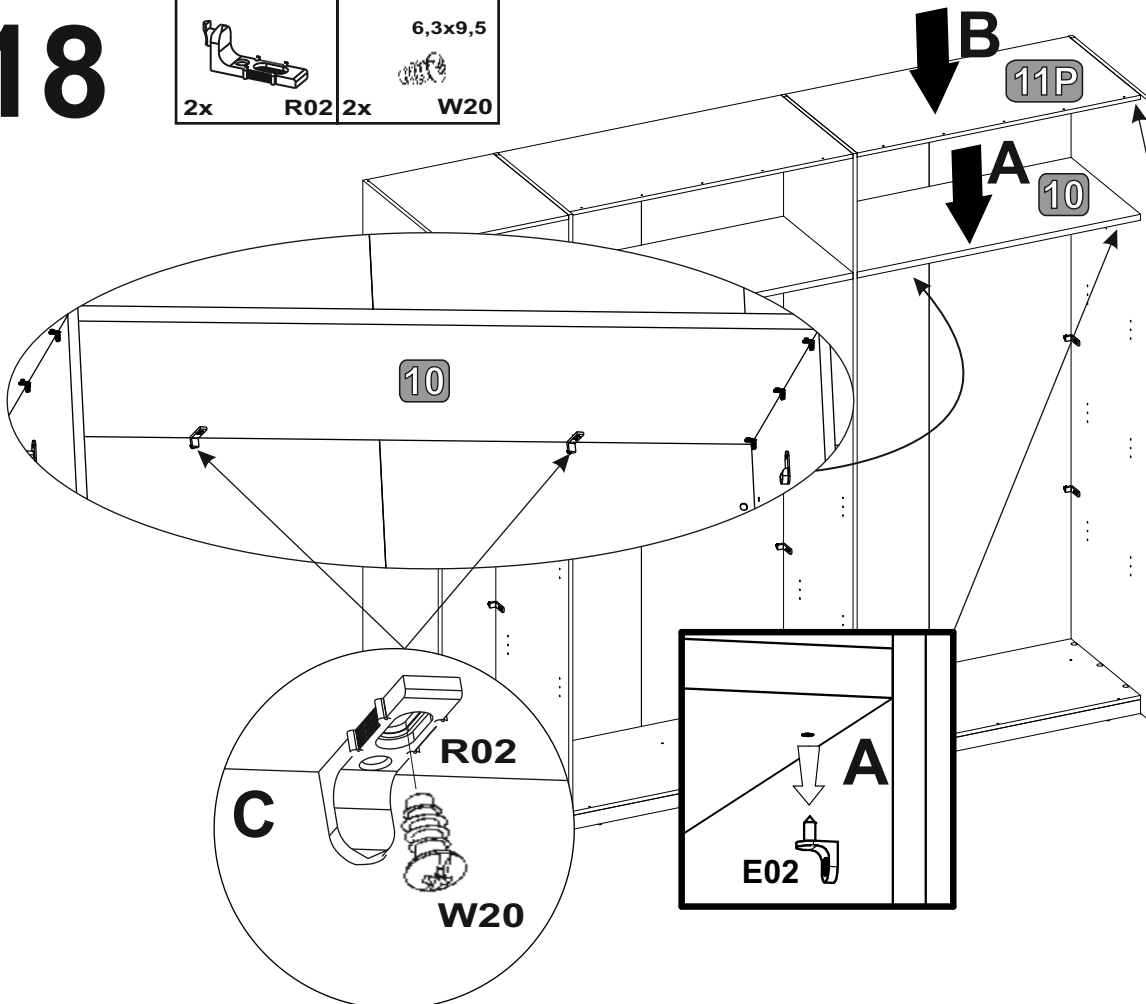
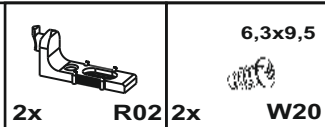
3x		R02	3x		W20	6,3x9,5
----	---	-----	----	---	-----	---------



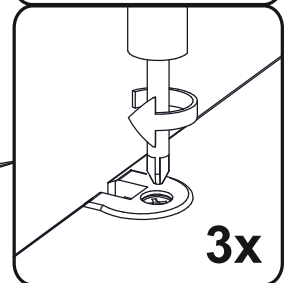
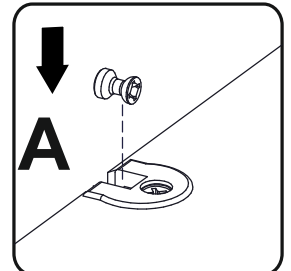
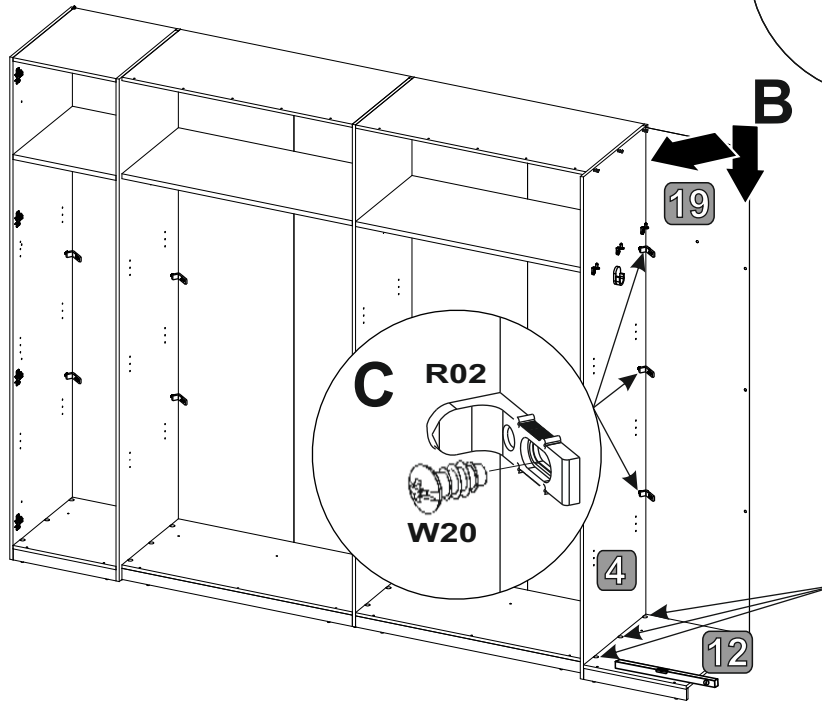
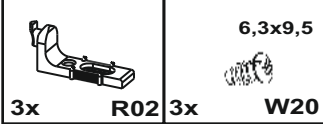
17



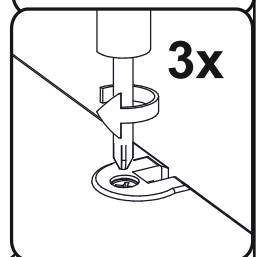
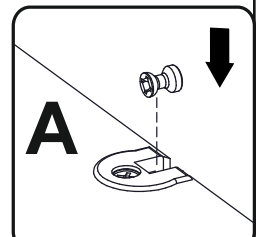
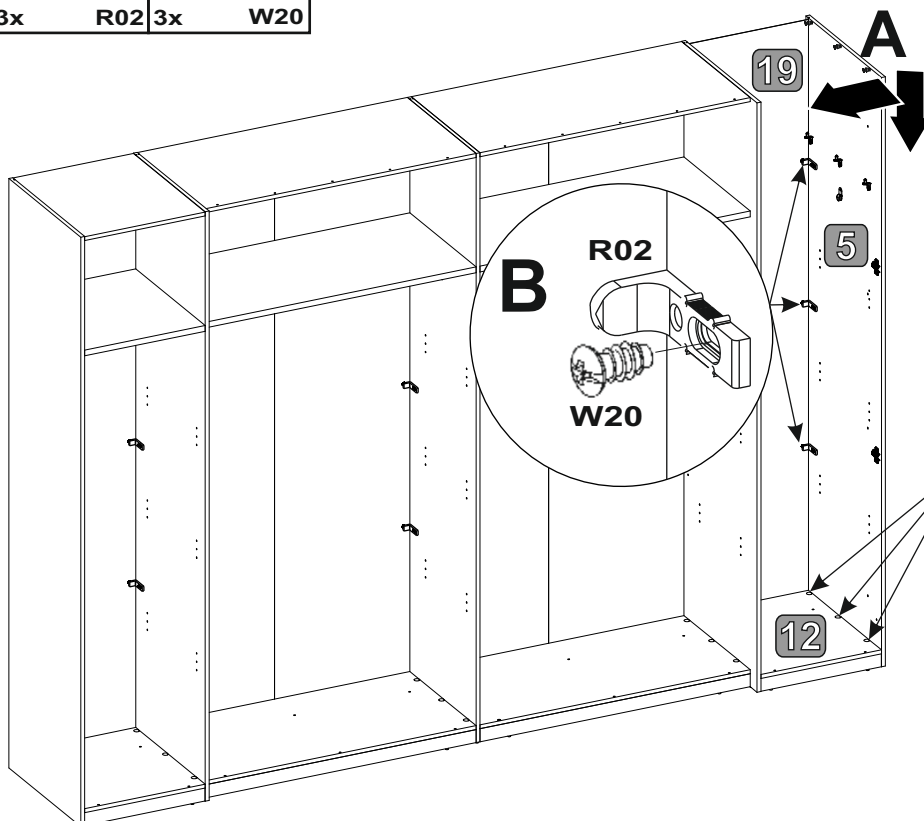
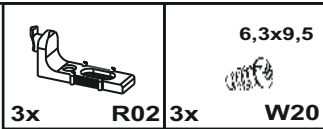
18



19



20



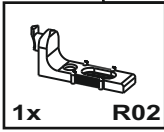
21

6,3x9,5



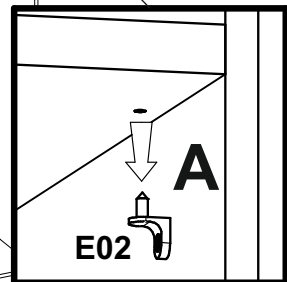
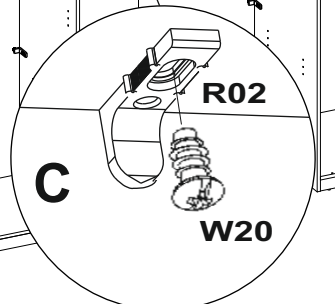
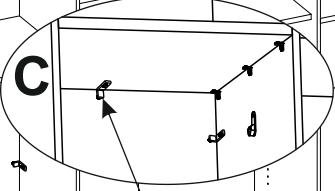
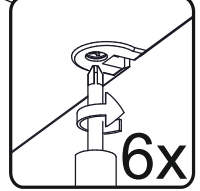
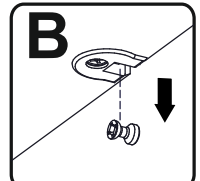
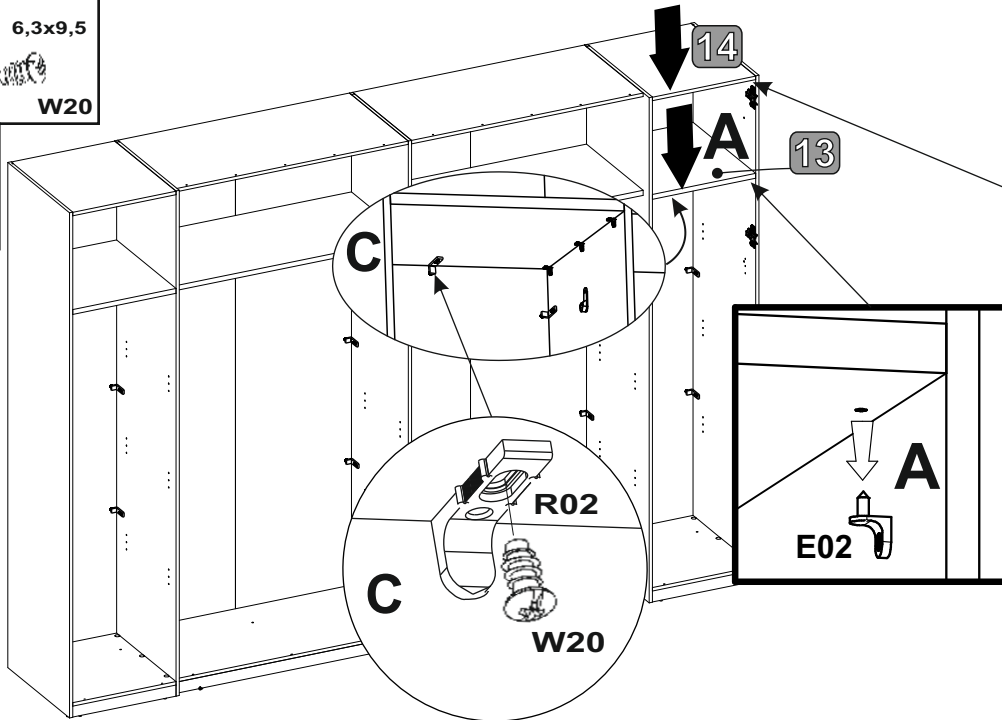
W20

1x

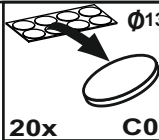


1x

R02

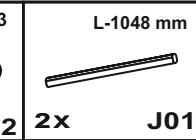


22



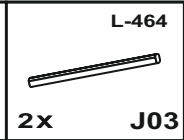
20x

C02



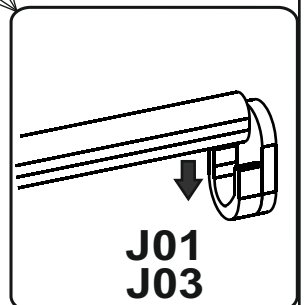
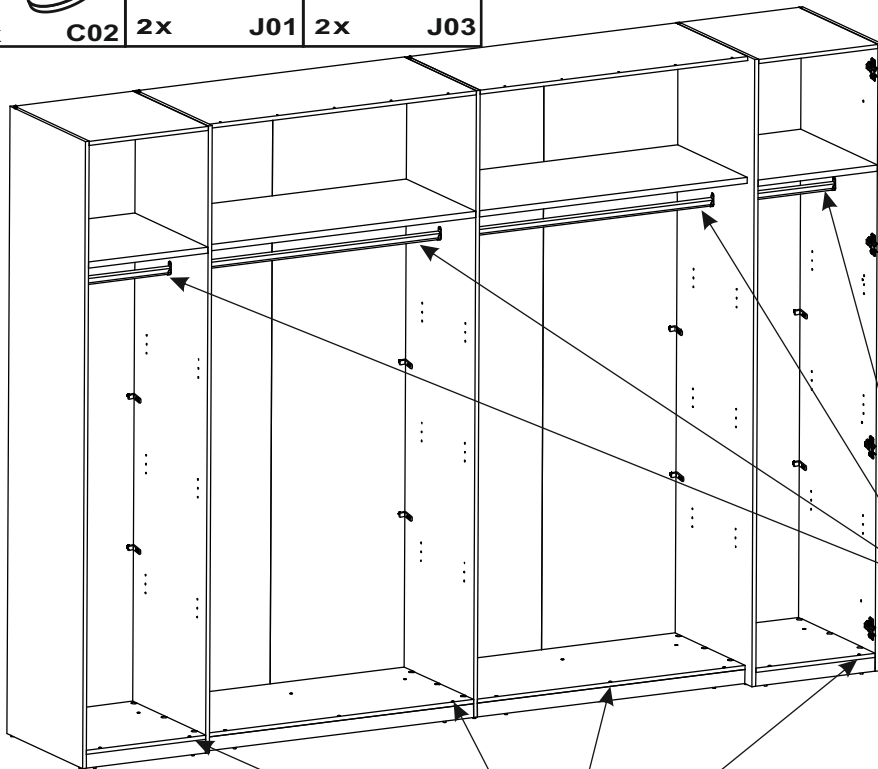
2x

J01

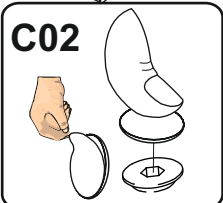


2x

J03




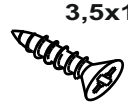



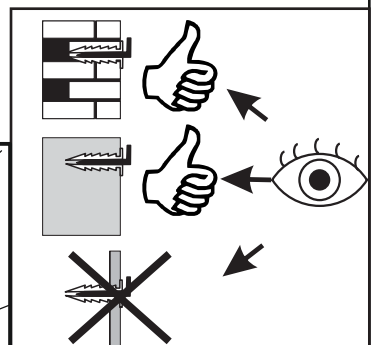
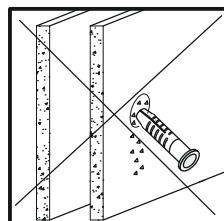
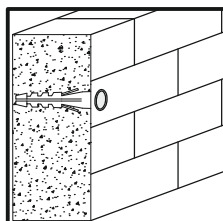
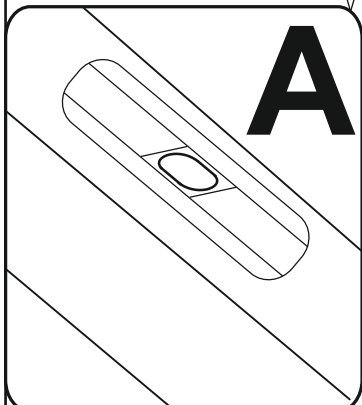
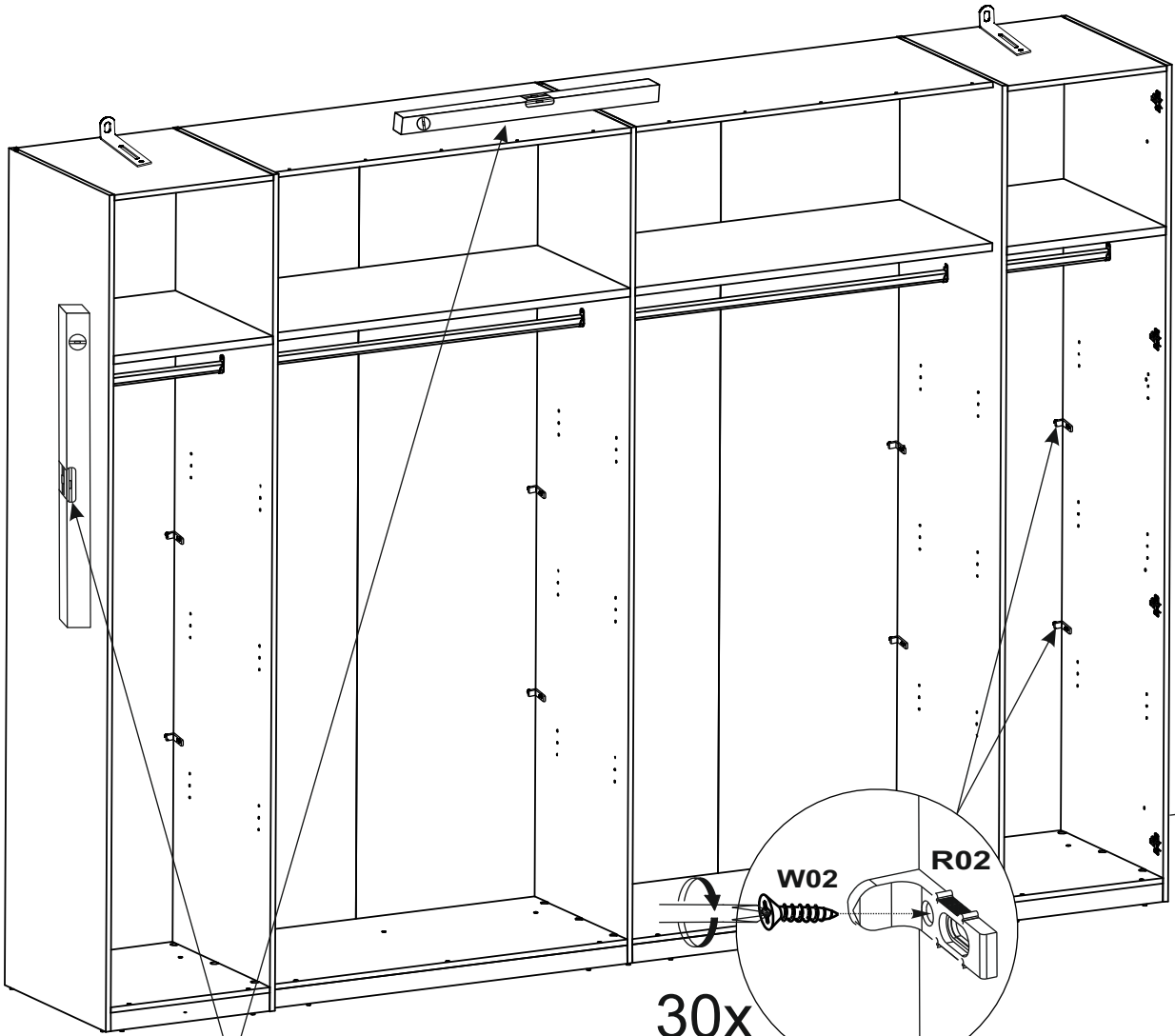
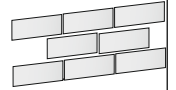
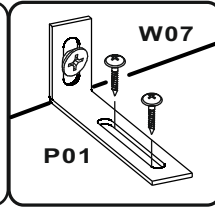
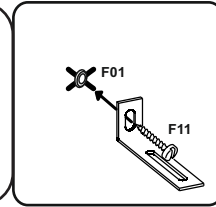
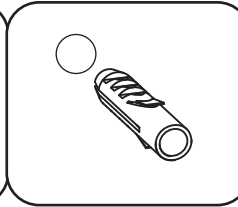
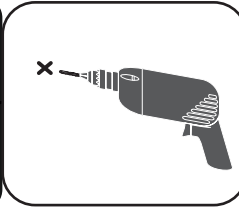
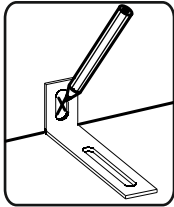
J01
J03



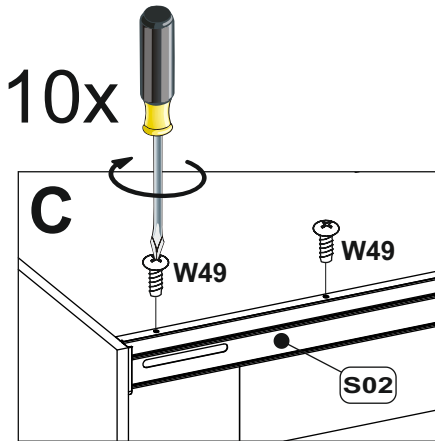
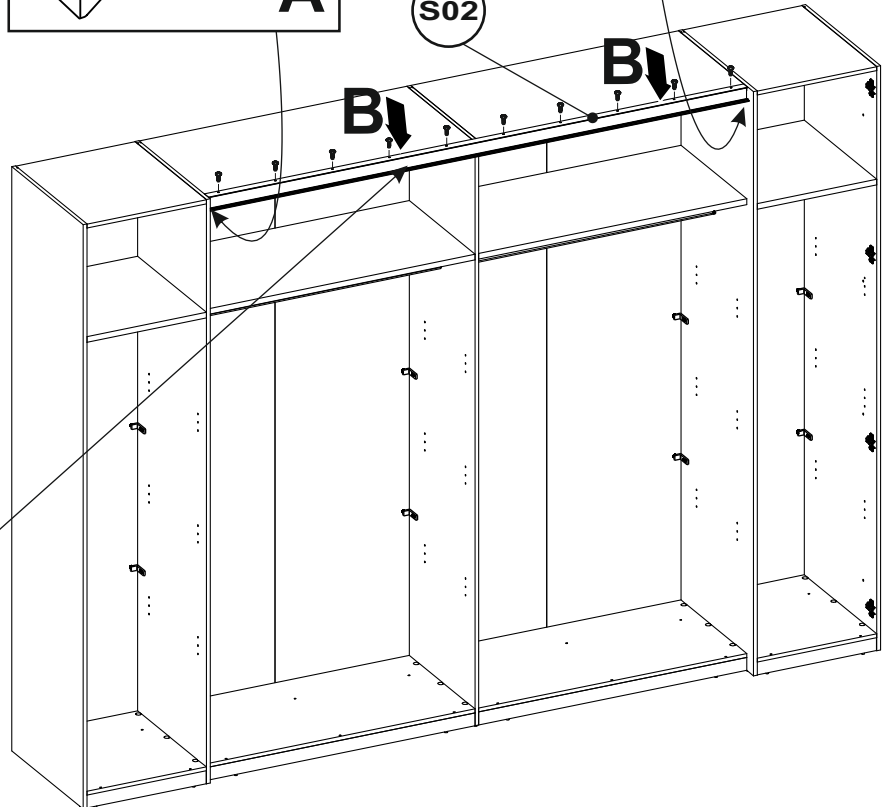
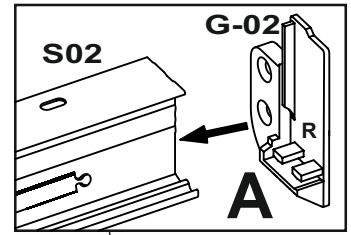
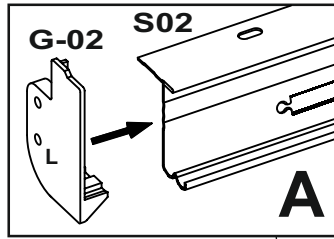
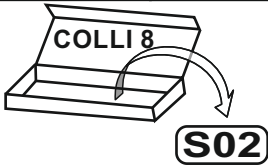
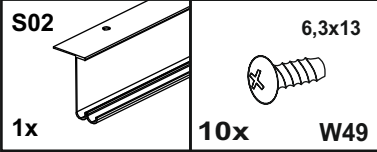
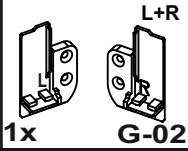
20x

23

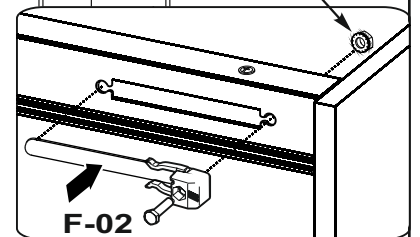
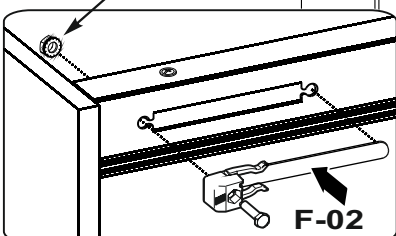
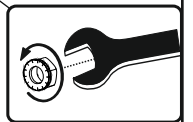
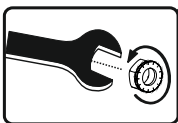
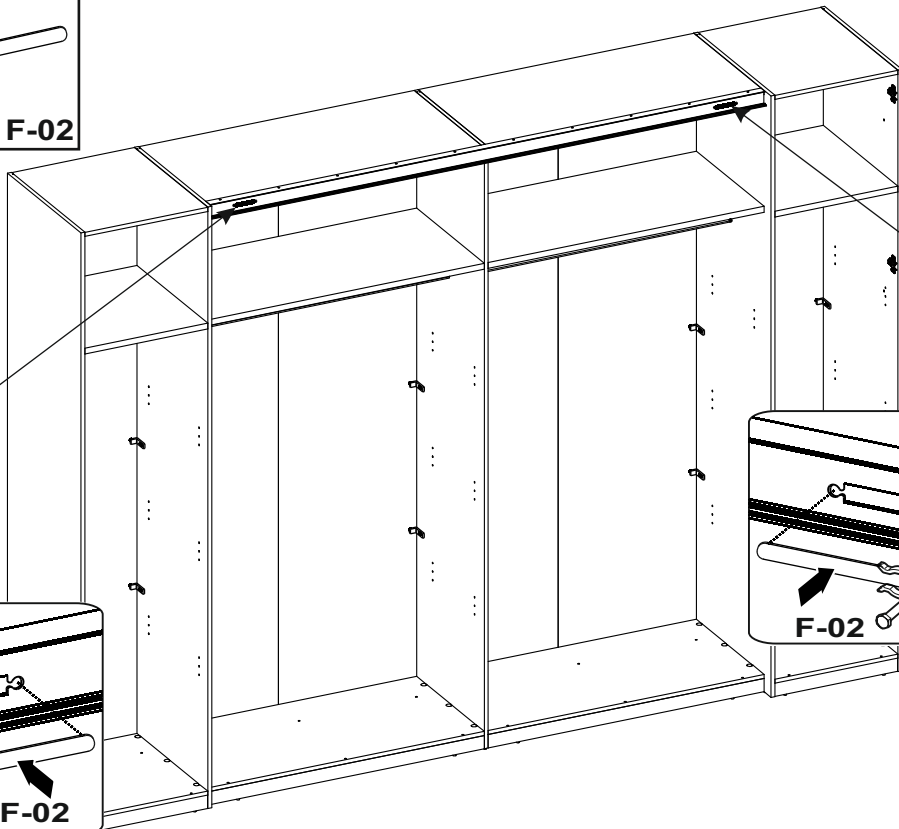
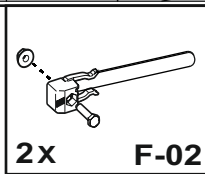
				
2x F11	2x F01	2x P01	30x W02	4x W07



24

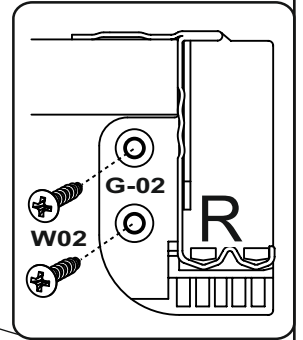
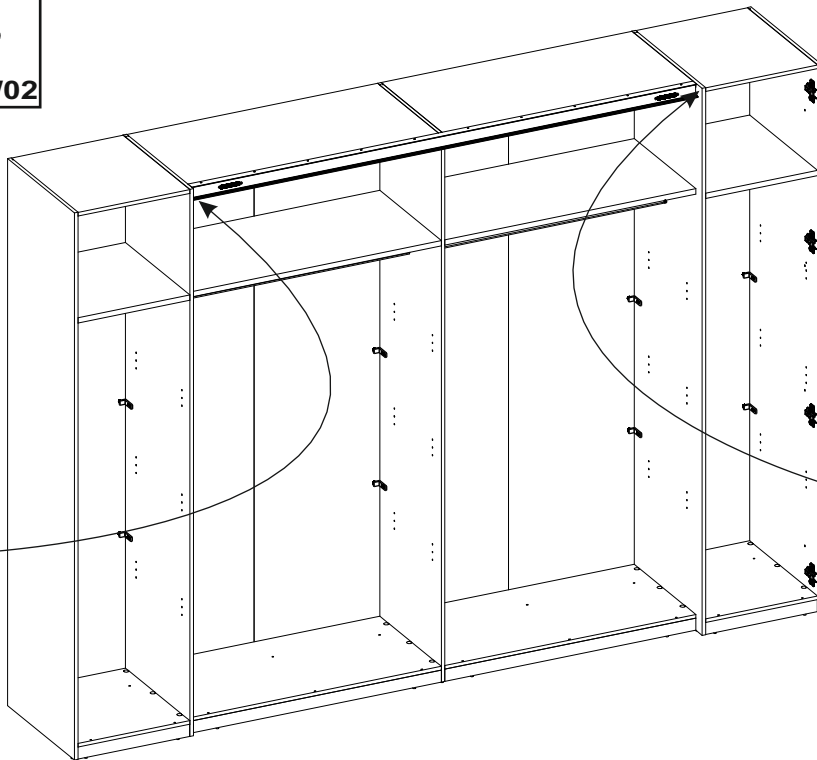
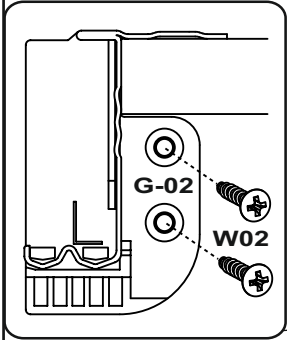


25



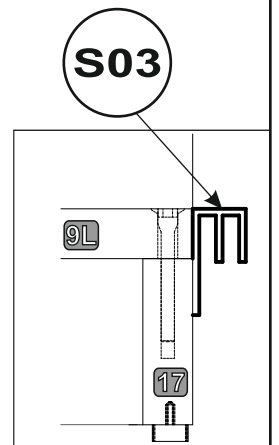
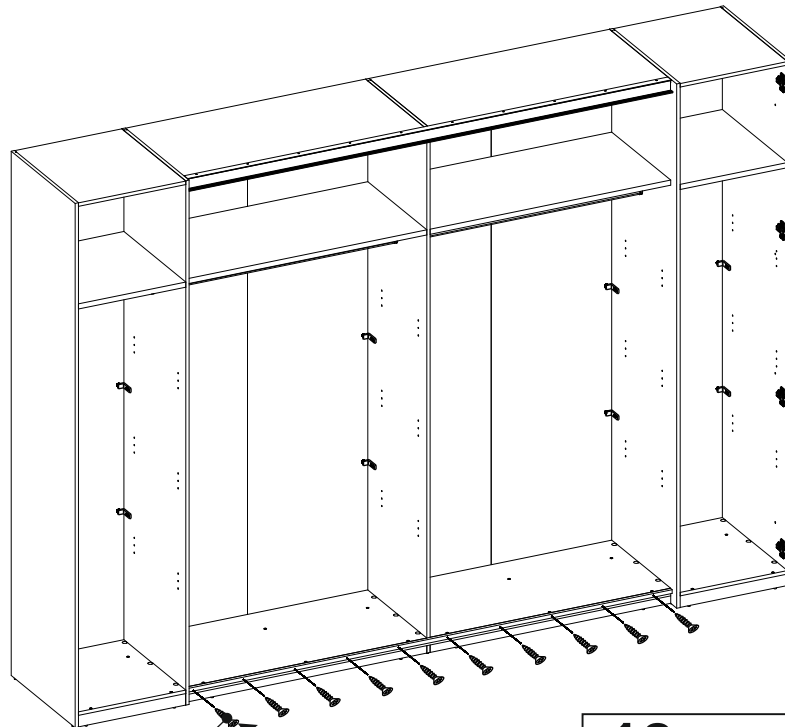
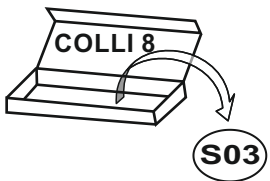
26

3,5x13
4X W02

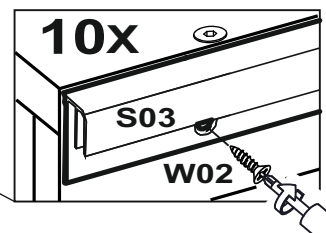


27

3,5x13
10X W02
S03
1x



10x W02



28

3,5x13
36x W02

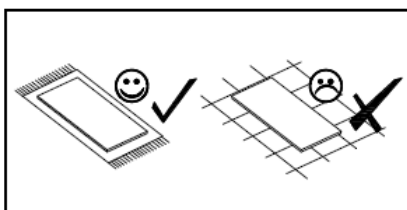
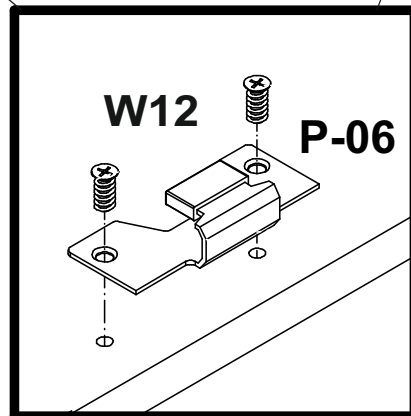
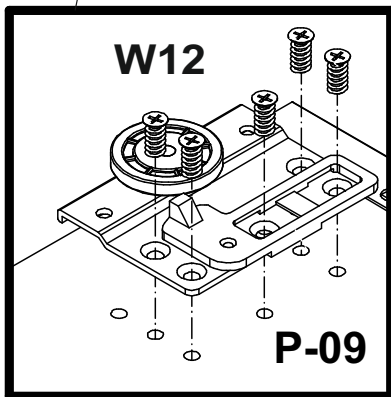
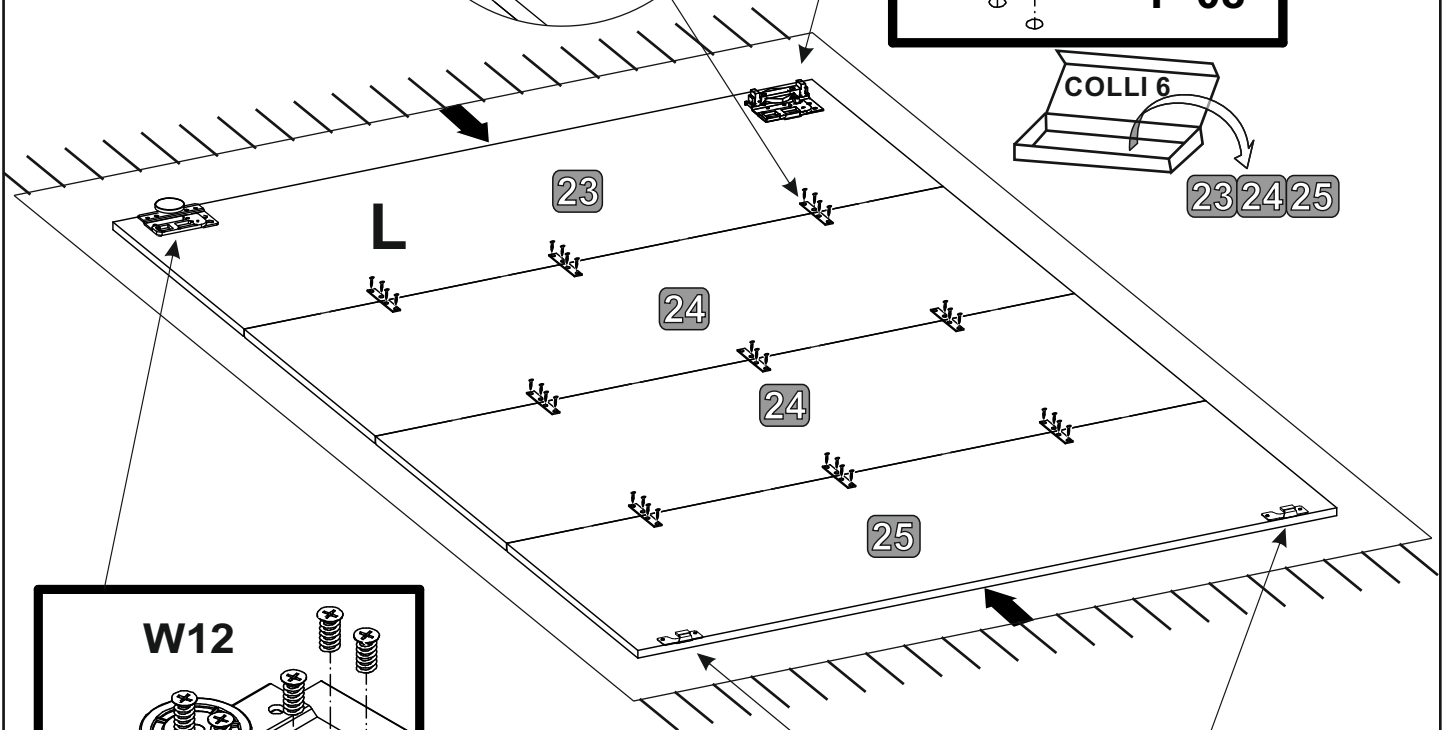
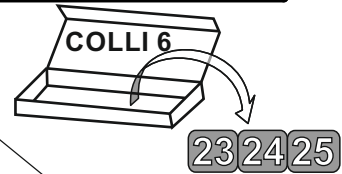
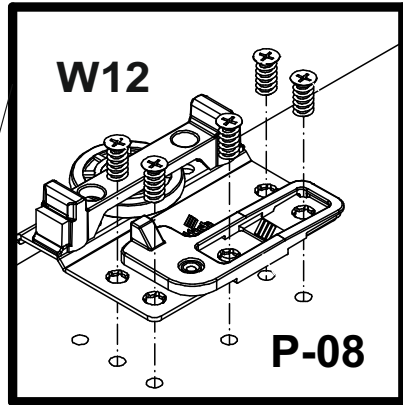
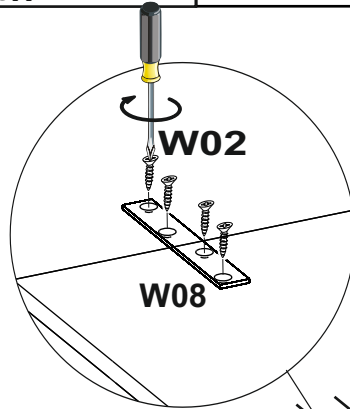
9x W08

1x P-09

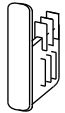
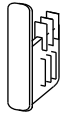
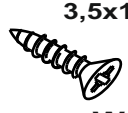
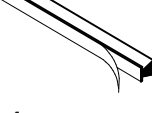
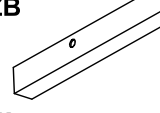
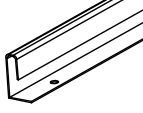
2x P-06

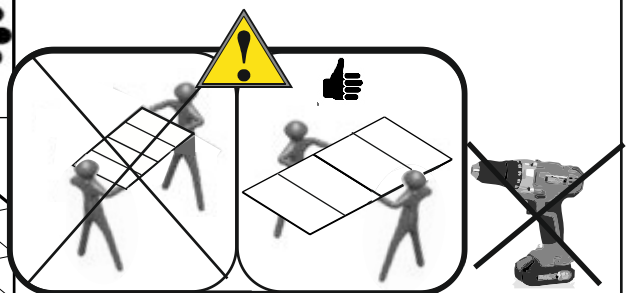
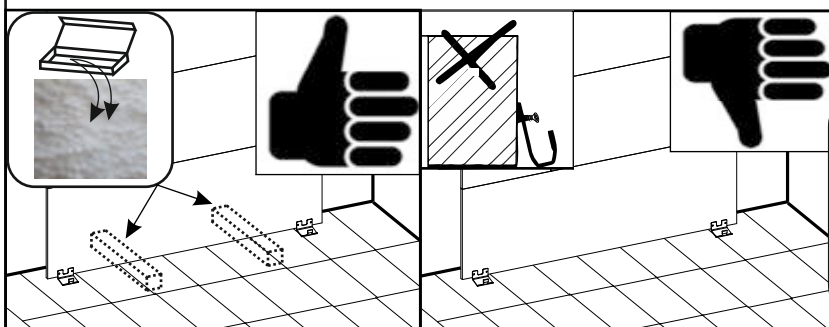
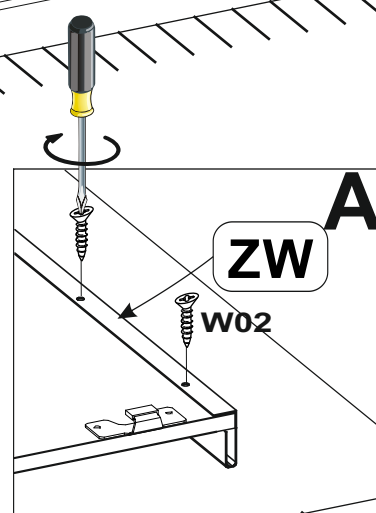
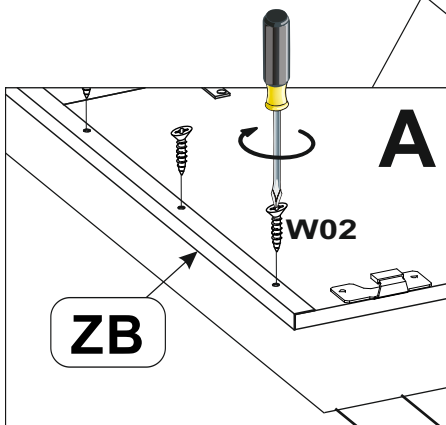
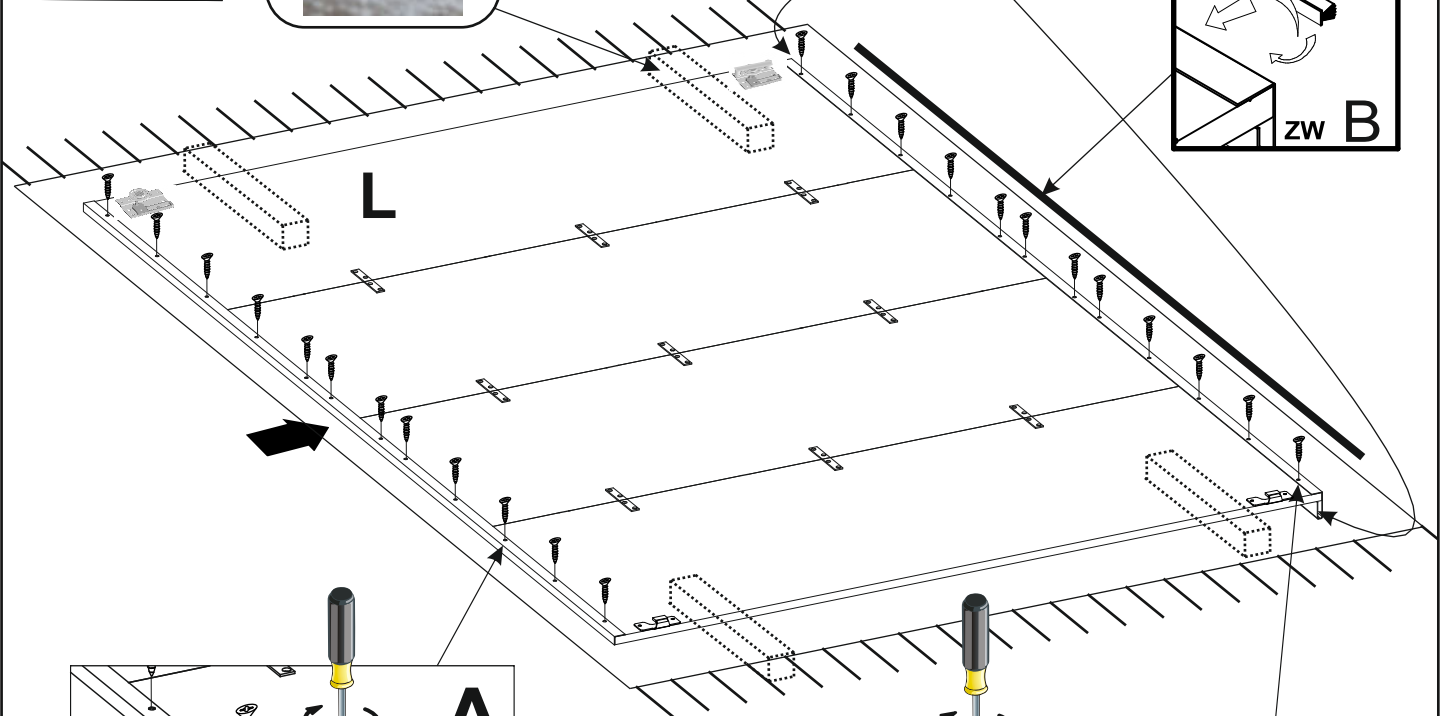
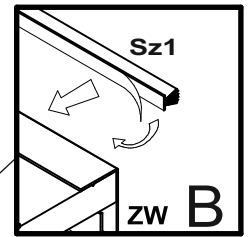
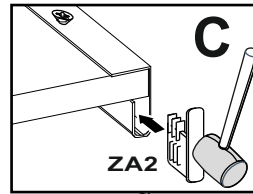
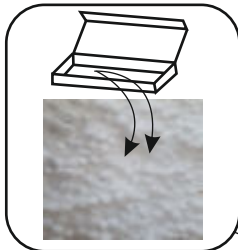
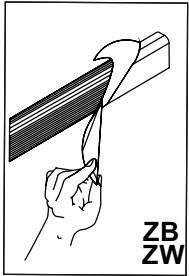
1x P-08

6x11
14x W12



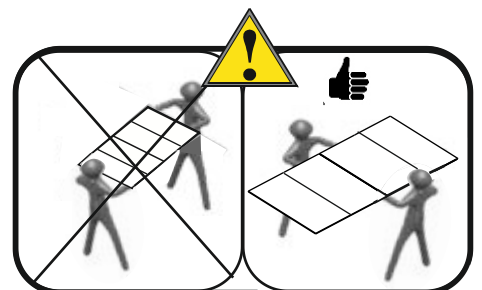
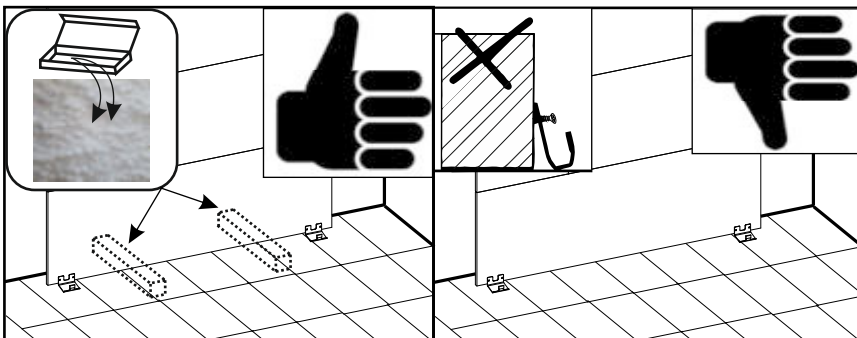
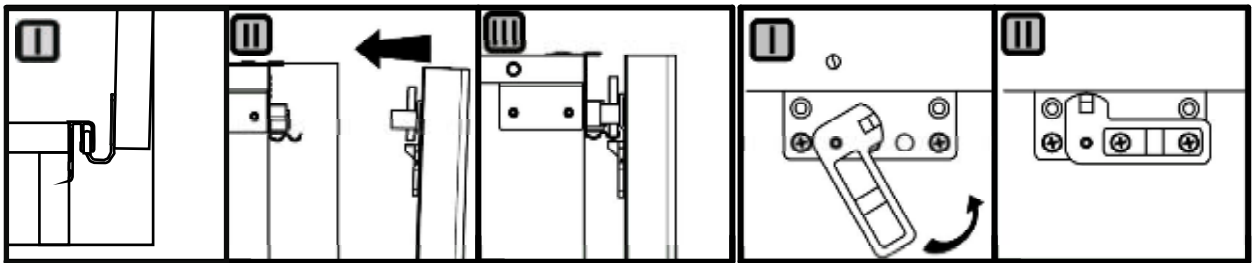
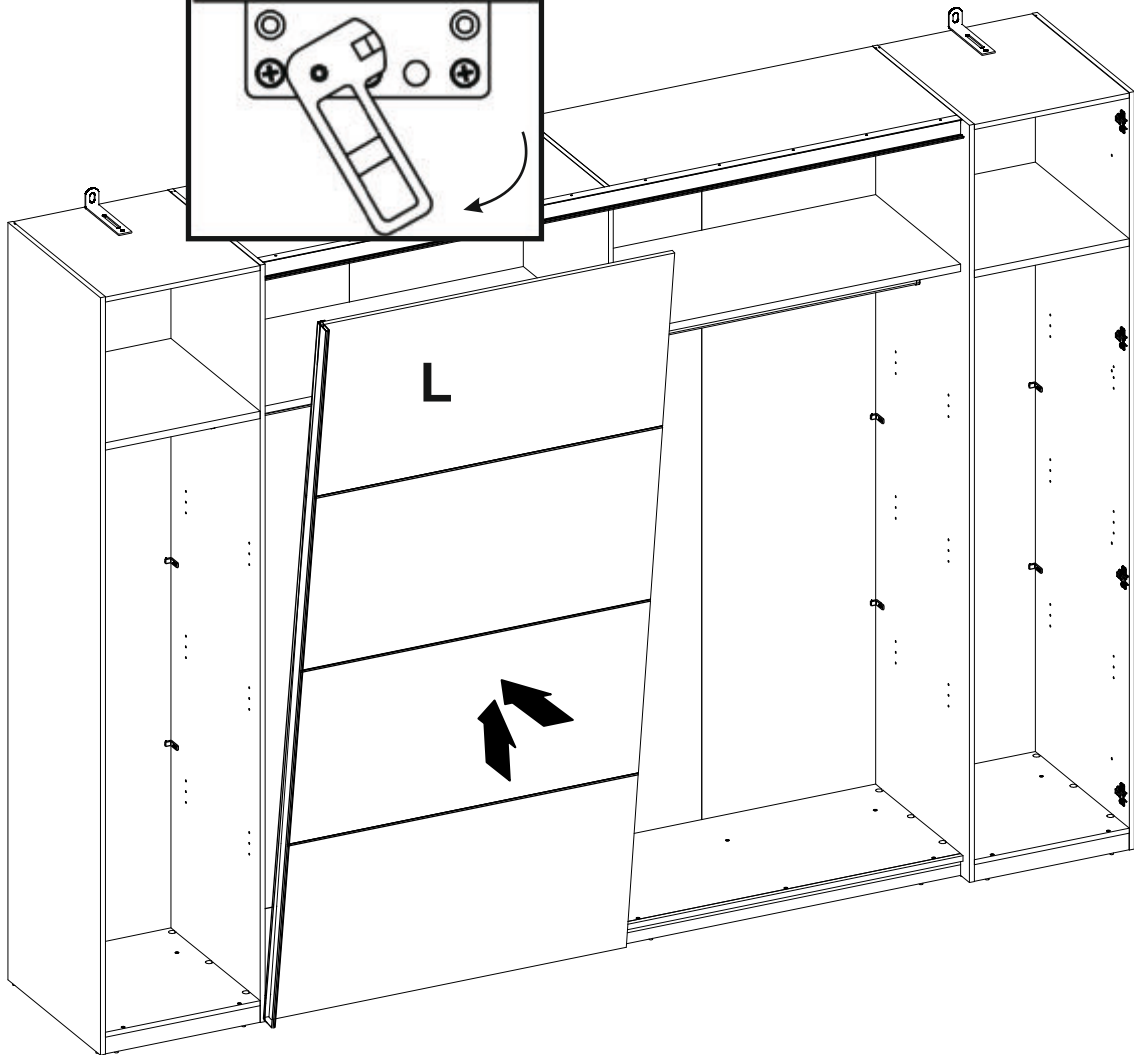
29

 H-37 2x	 ZA2 24x	 3,5x13 W02 24x	 Sz1 1x	 ZB 1x	 ZW 1x
---	---	---	--	--	---

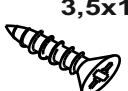
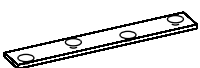


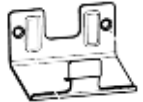


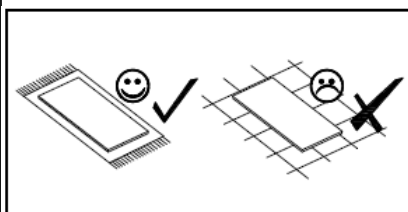
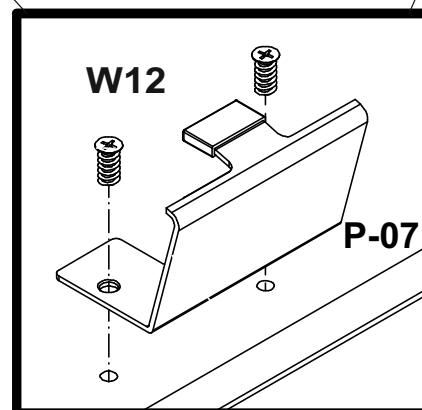
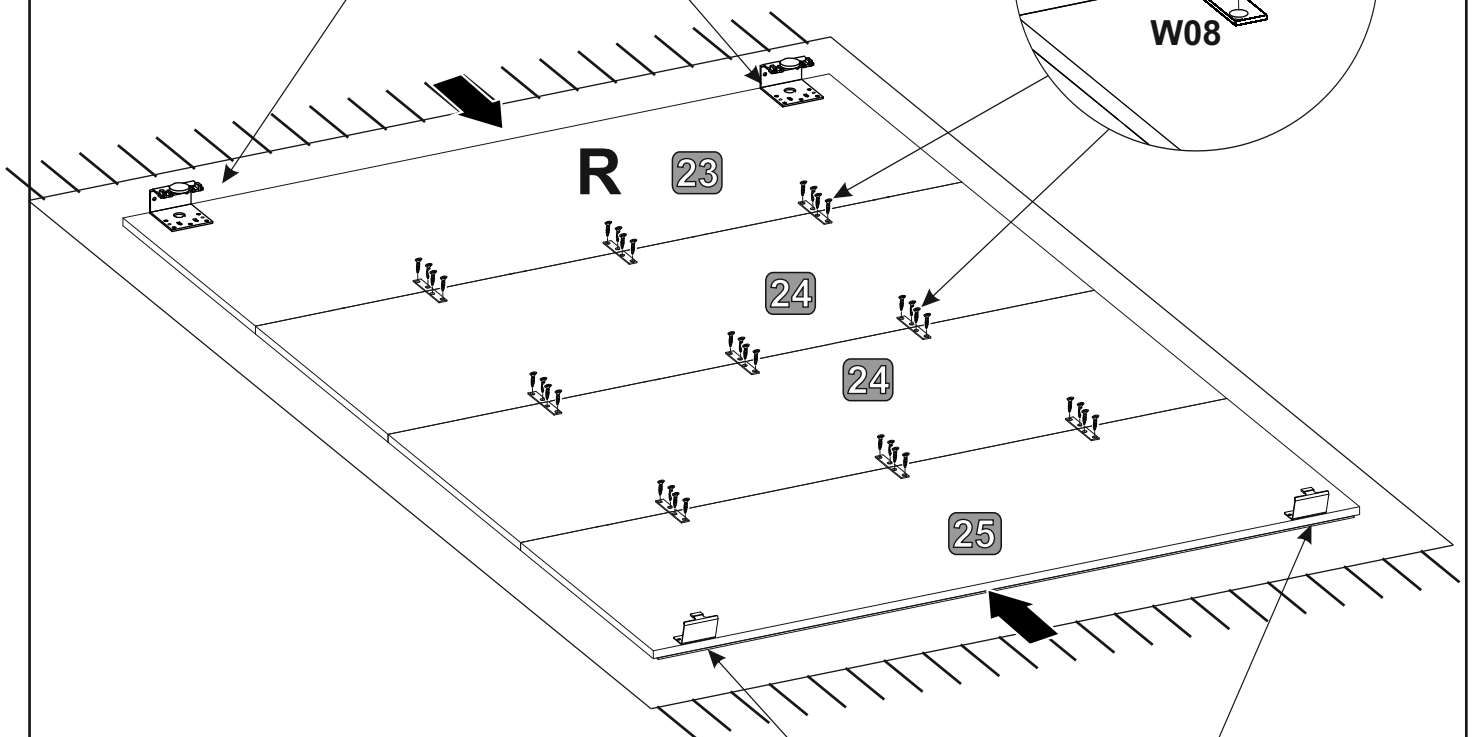
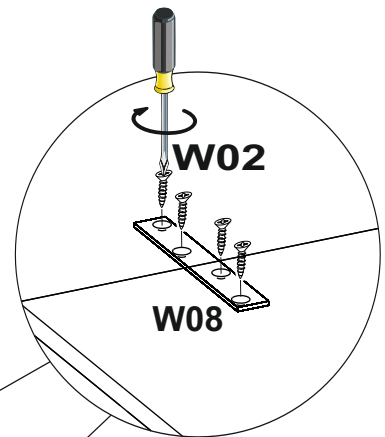
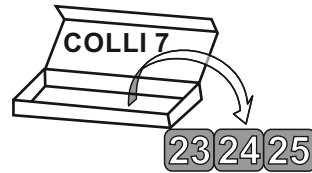
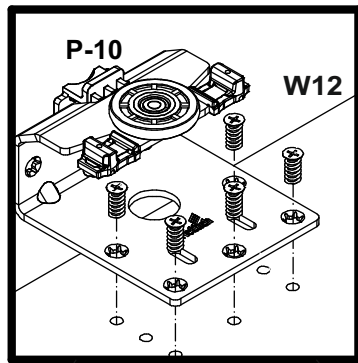
30

A

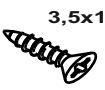
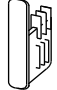
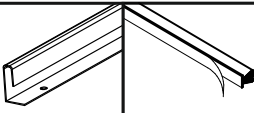


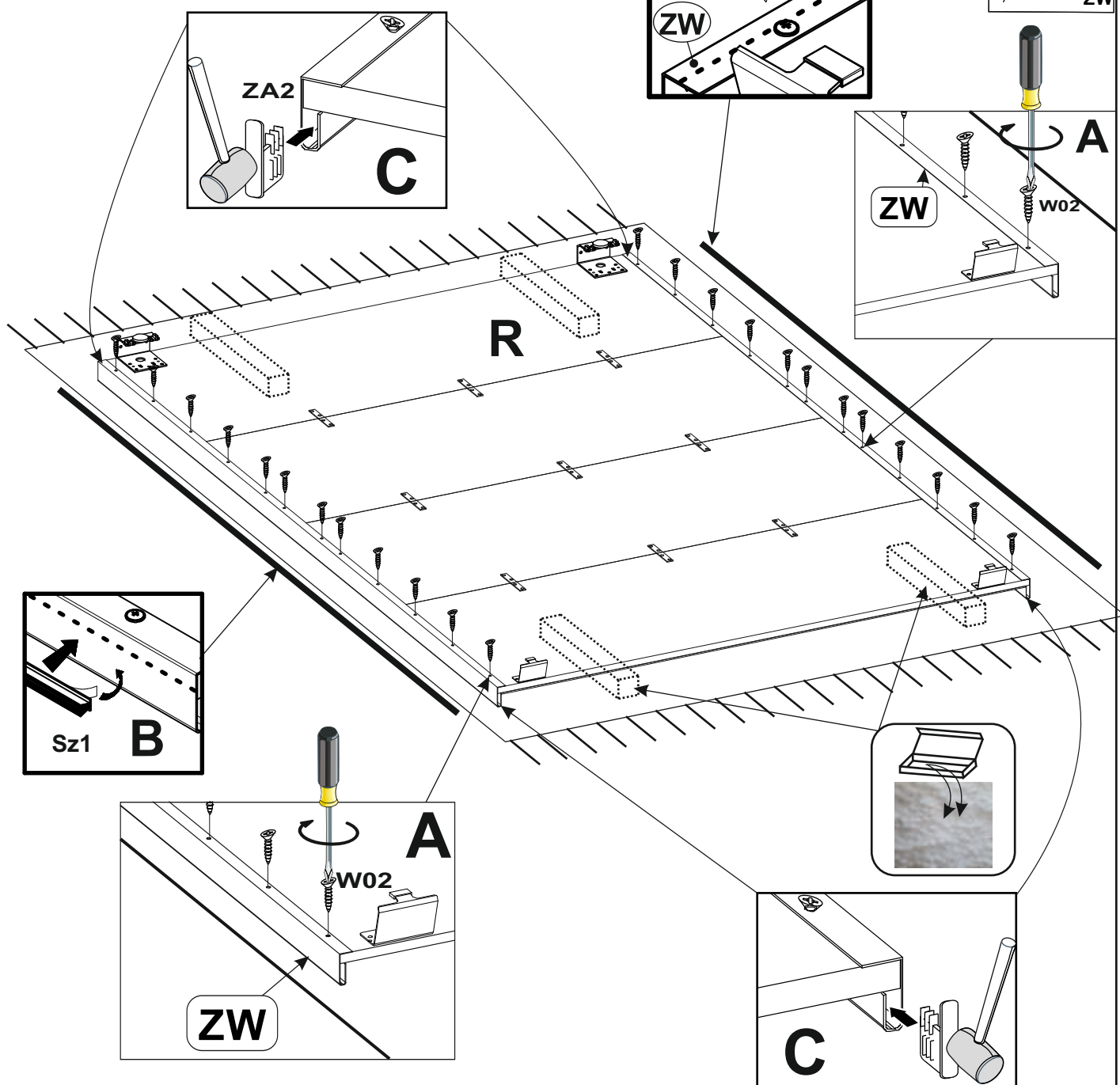
31



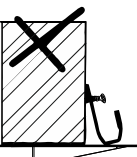

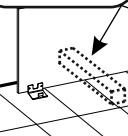
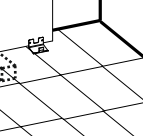
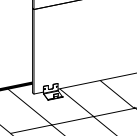
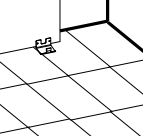
 36x W02	 9x W08	 14x W12	 2x P-10	 2x P-07
--	---	--	---	--




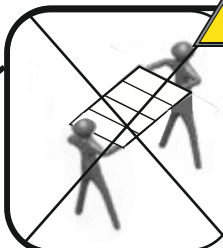


32

 3,5x13 24x W02	 H-37 ZA2 2x	 ZW 1x Sz1
--	---	---

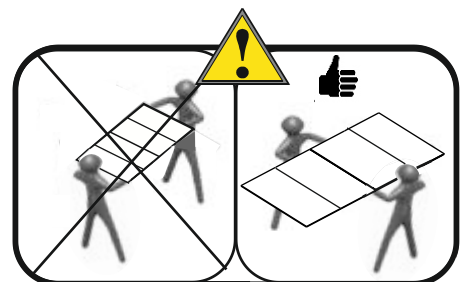
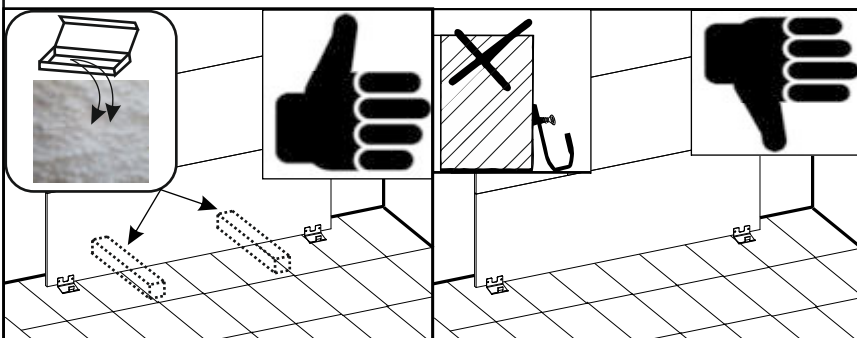
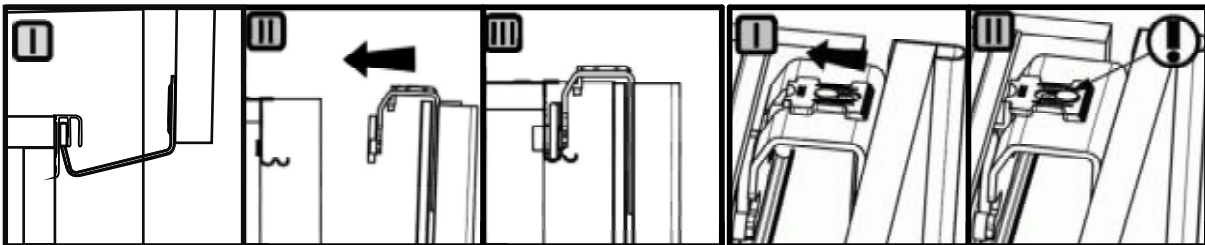
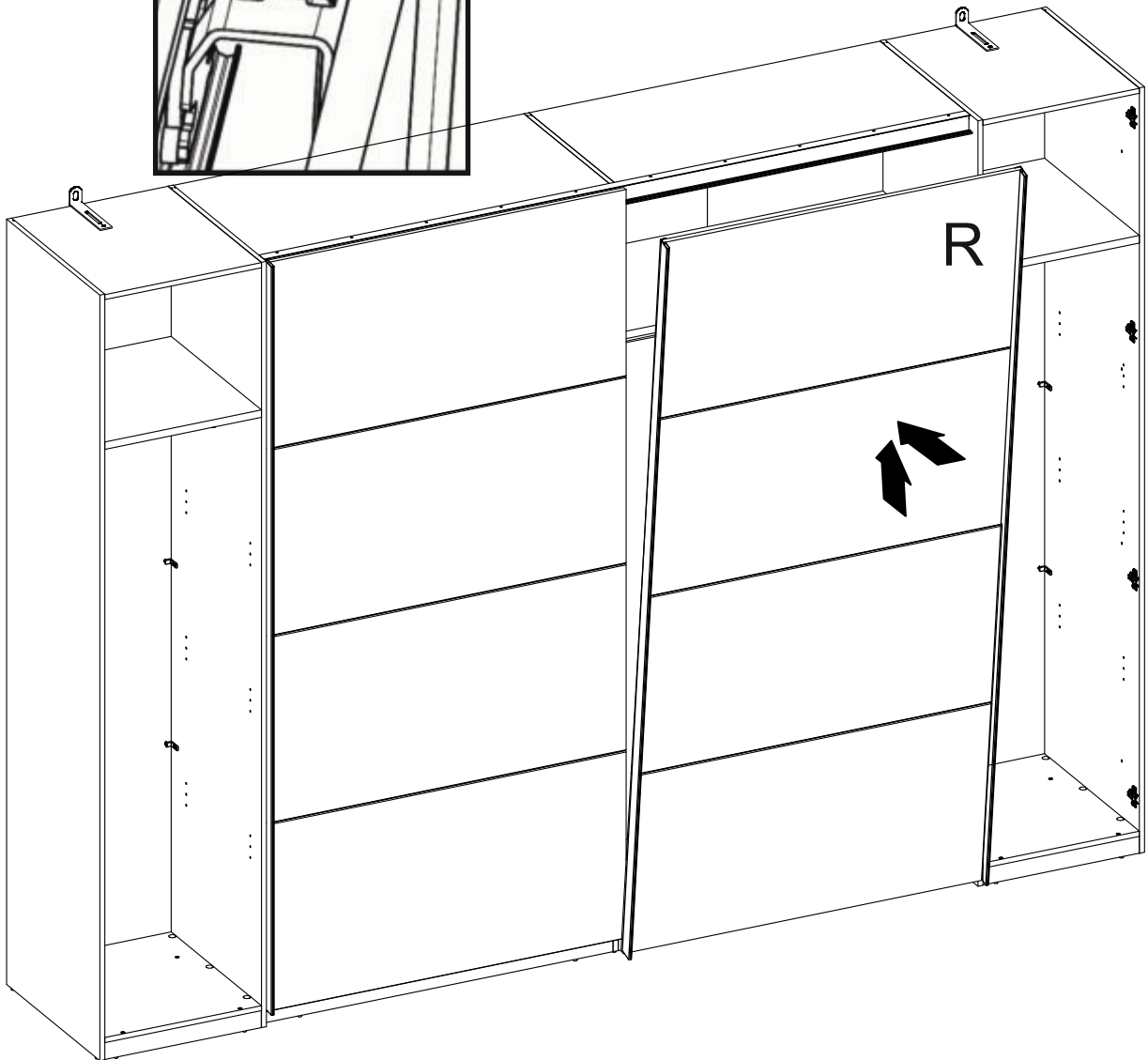
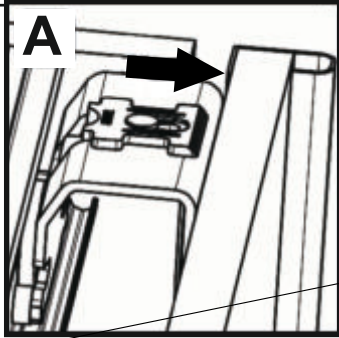


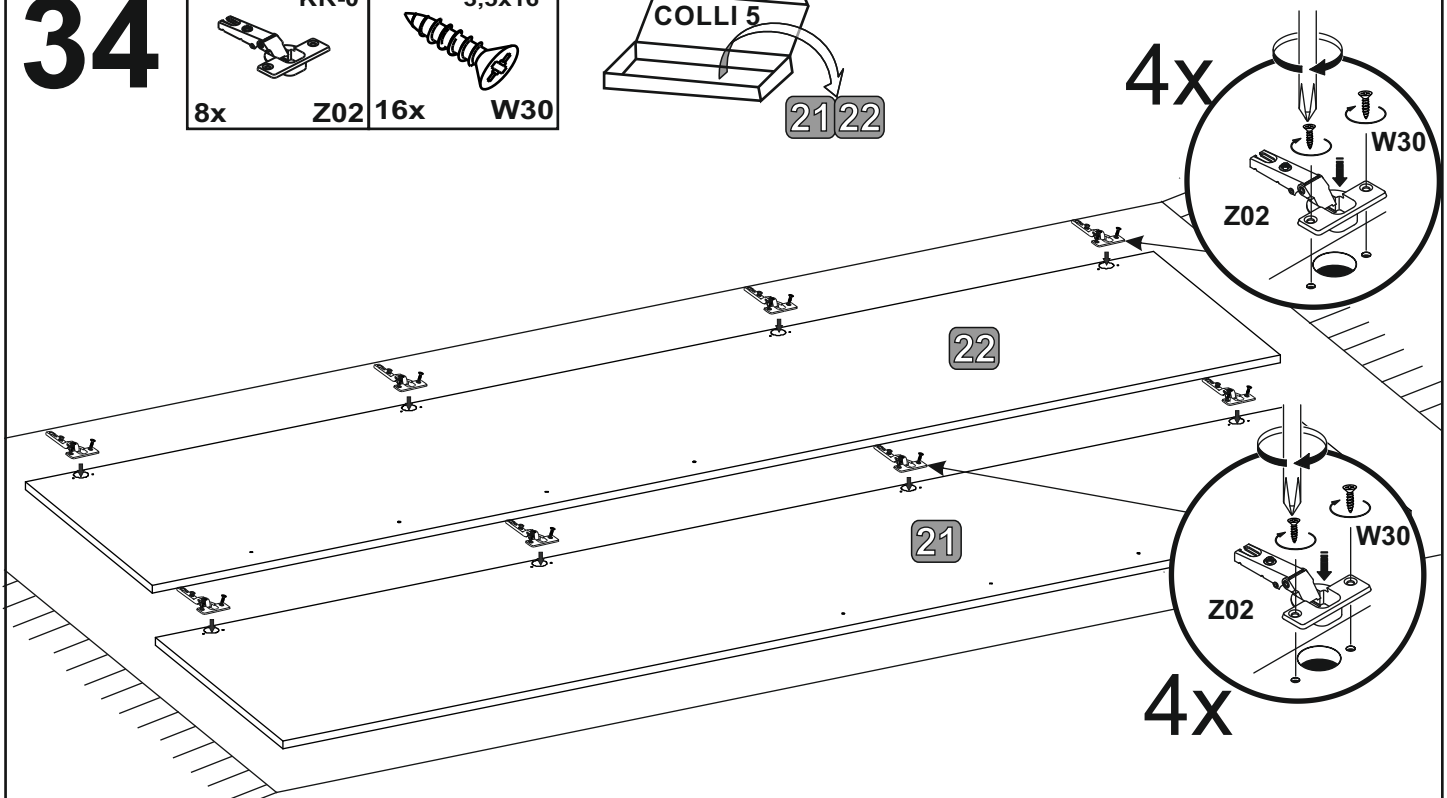
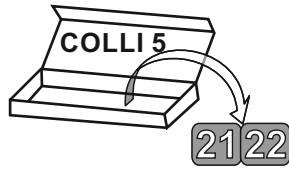
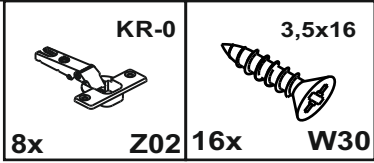


		
---	---	---

33



34



35

